

# *Seno Pro Trucks*

## **TRALERT® LED WORK LIGHTS** TRALERT® LED 作業灯





---

## THE SPECIALIST IN LED VEHICLE LIGHTING

As an European importer and manufacturer of exclusively LED vehicle lighting, TRALERT® distinguishes itself through a complete and high-quality product range, excellent service and expert technical support.

Through our specialisation and focus, we have become one of the largest suppliers in our field in a short time. Besides representing several renowned brands and manufacturers in the European market, TRALERT® also manufactures lighting products in-house. TRALERT® is also your partner in providing customised solutions for all your lighting needs, whether for individual lighting or fully customised configuration of cable sets and total solutions.

With our own TRALERT® marketing team, we are in an excellent position to support you in terms of customised brochures, full shop-in-shop support and the provision of customised Social Media content.

**TRALERT®, your partner and specialist in LED vehicle lighting.**

Traditech B.V. / TRALERT®  
Ratio 39  
6921 RW Duiven  
The Netherlands

E: [info@tralert.com](mailto:info@tralert.com)  
T: +31 (0)316 - 372 346  
W: [tralert.com](http://tralert.com)



# TABLE OF CONTENTS

## 6. LED WORK LIGHTS

- 8. Apex Series
- 12. Onix Series
- 18. Optimus Series
- 24. Edge Series
- 30. Regular assortment
- 34. Multifunctional LED work lights
- 40. ABL LED work lights
- 42. Graphene Series
- 44. 7312 Series
- 46. Clearance lamps
- 48. 3617 Series ADR work lights
- 52. Oval LED work lights
- 54. No-glare LED work lights
- 56. CARBON-LUX Series
- 58. SL-200 Series work lights
- 59. W-2200 Series
- 60. Search lights
- 62. Safety work lights

## 68. ACCESSORIES

## 70. PLUG & PLAY LED PACKAGE

## 76. LEGEND ICONS

## 77. TRALERT® ONLINE





DISCOVER OUR SELECTION

# LED WORK LIGHTS

The TRALERT® LED worklights provide optimum illumination of your work area. Highest build quality, most powerful LEDs and very good light distribution. The LED worklights from TRALERT® are available in different shapes, so that there is always a worklight that fits the body of your vehicle. Find out which LED work light best suits your vehicle on the following pages.





THE NEW ALL-ROUNDER AMONG LED WORK LIGHTS

# APEX SERIES

A new generation of LED work lights, designed to make your work easier. The Apex Series features four unique models available in multiple variants. Key characteristics include a robust housing, comprehensive certifications, and rounded corners for optimal light distribution. Discover everything about the TRALERT® Apex Series on the following pages.





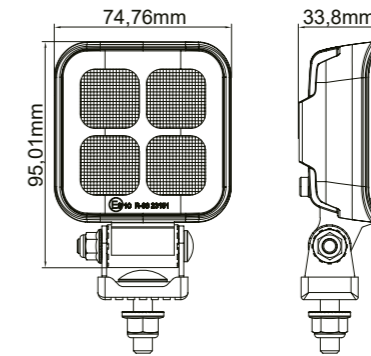
# Apex Series

A brand-new range of LED work lights, designed with the user's daily needs in mind. The Apex Series consists of four models with various configurations, each featuring a durable housing and rounded corners for efficient light distribution. With extensive certifications, this Series meets high standards for quality and safety, making these lights ideal for diverse working conditions.

## TRALERT® Apex Series Art. WR-1829V(-4M)

Specifications:

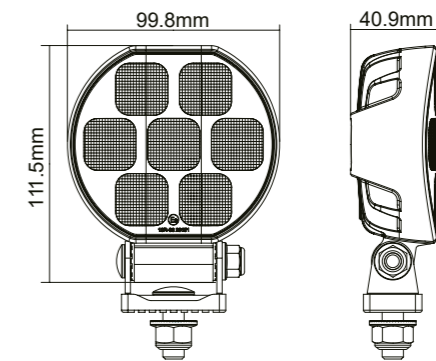
- 2929 lumens
- Flood beam
- 50cm cable / 400cm cable
- WR-1829V: Deutsch connector
- 9-30V multivoltage
- 36V piekspanning bestendig
- 12 LEDs, 18W
- Dimensions: 74,8 x 95,0 x 33,9mm
- 1,70A at 12V / 0,84A at 24V



## TRALERT® Apex Series Art. WR-3151R

Specifications:

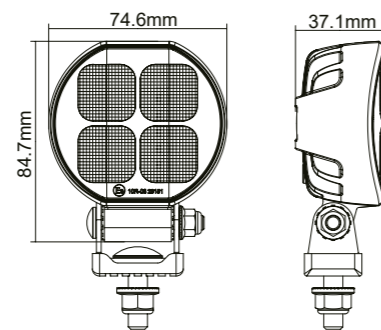
- 5126 lumens
- Flood beam
- 50cm cable
- Deutsch connector
- 9-30V multivoltage
- 36V piekspanning bestendig
- 21 LEDs, 31,5W
- Dimensions: 99,8 x 111,5 x 40,9mm
- 3,10A at 12V / 1,51A at 24V



## TRALERT® Apex Series Art. WR-1829R

Specifications:

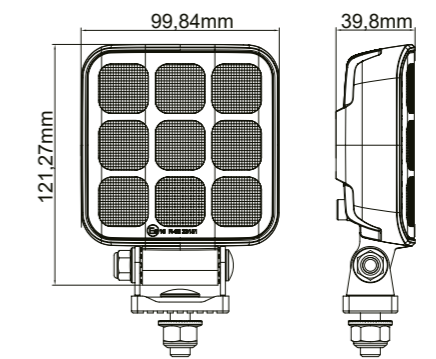
- 2929 lumens
- Flood beam
- 50cm cable
- Deutsch connector
- 9-30V multivoltage
- 36V piekspanning bestendig
- 12 LEDs, 18W
- Dimensions: 74,6 x 84,7 x 37,1 mm
- 1,88A at 12V / 0,94A at 24V



## TRALERT® Apex Series Art. WR-4065V(-4M)

Specifications:

- 6500 lumens
- Flood beam
- 50cm cable / 400cm cable
- WR-4065V: Deutsch connector
- 9-30V multivoltage
- 36V piekspanning bestendig
- 27 LEDs, 40,5W
- Dimensions: 99,8 x 121,3 x 39,8mm
- 3,89A at 12V / 1,86A at 24V







HIGHLY EFFICIENT LED WORK LIGHTS WITH RFT LENS TECHNOLOGY

## **ONIX SERIES**

Meet the highly efficient LED worklights from TRALERT®'s Onix Series. This Series of worklights features the latest RFT (Reflector Facing Technology) lens technology, which ensures highly efficient light distribution and prevents stray light. In addition to RFT technology, these lights feature a wide voltage range of 9-36V, have a clear PMMA lens and the work lights are equipped with long-lasting 1.5W LEDs. Find out more about the Onix Series on the following pages.

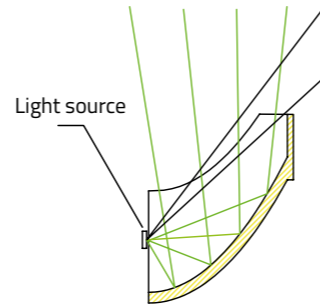


# Onix Series

The LED work lights from the Onix Series are described by many of our partners as the ideal all-round LEDwork light. It is one of the models that comes into its own in every vehicle sector.

## RFT lens technology

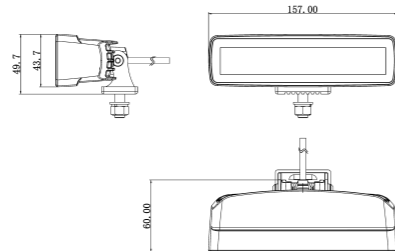
The work lights from the Onix Series are equipped with RFT lens technology. This technique uses Reflector Facing Technology (RFT), where the LEDs are positioned in such a way that they shine towards the reflector instead of directly outwards. This ensures significantly higher efficiency in light output and better control of the light beam. Furthermore, these robust LED work lights are equipped with a large voltage range (9-36V), dust & waterproof housing and a clear PMMA lens.



### TRALERT® Onix Series Art. WF-3027)

Specifications:

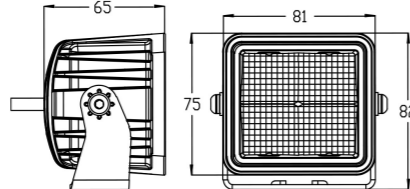
- 2880 lumens
- Flood beam
- 50cm cable + Deutsch connector
- 9-36V multivoltage
- 6x 3W LEDs
- Dimensions: 157 x 43,7 x 60mm
- 2,04A at 12V / 1,40A at 24V
- 64 lux at 10m / 1 lux at 73m



### TRALERT® Onix Series (Art. TRSW12273FB)

Specifications:

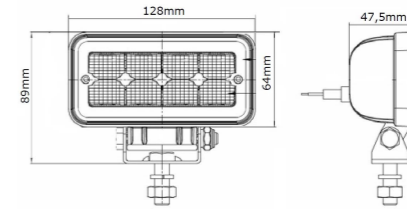
- 4680 lumens
- Flood beam
- 40cm cable + Deutsch connector
- 9-36V multivoltage
- 4x 10W LEDs
- Dimensions: 81 x 81 x 65mm
- 3,25A at 12V / 1,78A at 24V
- 10 lux at 38m / 1 lux at 134m



### TRALERT® Onix Series (Art. TRSW12274FB)

Specifications:

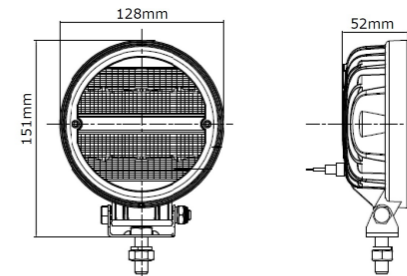
- 1136 lumens
- Flood beam
- 40cm cable + Deutsch connector
- 9-36V multivoltage
- 8x 1,5W LEDs
- Dimensions: 128 x 64 x 47,5mm
- 1,34A at 12V / 0,61A at 24V
- 9 lux at 10m / 0,25 lux at 57m
- Beam angle 50°



### TRALERT® Onix Series (Art. TRSW12028FB)

Specifications:

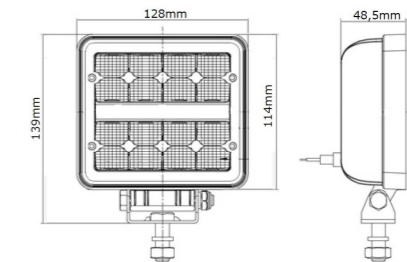
- 2272 lumens
- Flood beam
- 40cm cable + Deutsch connector
- 9-36V multivoltage
- 16x 1,5W LEDs
- Dimensions: 128 x 52mm
- 2,73A at 12V / 1,20A at 24V
- 13 lux at 10m / 0,25 lux at 76m
- Beam angle 45°



### TRALERT® Onix Series (Art. TRSW12275FB)

Specifications:

- 2272 Lumens
- Flood beam
- 40cm cable + Deutsch connector
- 9-36V multivoltage
- 16x 1,5W LEDs
- Dimensions: 128 x 114 x 48,5mm
- 2,73A at 12V / 1,20A at 24V
- 13 lux at 10m / 0,25 lux at 76m
- Beam angle 45°





# Three colors

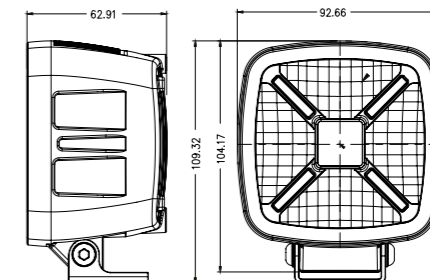
The top version of the TRALERT® Onix Series: the WF-6059WRA. This heavy-duty LED work light features the same efficient RFT lens technology as the rest of the Series, but with the added benefit of daytime running lights. The daytime running lights can be switched between three colors: red, white, and amber. As a result, the WF-6059WRA is the ideal choice for those seeking not only a rugged lamp to illuminate their work area but also a stylish addition to their equipment.



### TRALERT® Onix Series (Art. WF-6059RWA)

Specifications:

- 5948 lumens
- Flood beam
- Three colors daytime running lights
- 400cm cable
- 9-30V multivoltage
- 36V piekspanning bestendig
- 4x 15W LEDs (60W)
- Dimensions: 92,6 x 109,3 x 62,9mm
- 3,33A at 12V / 1,71A at 24V
- 40 lux at 40m / 1 lux at 80m





MAXIMUM LIGHT OUTPUT

## OPTIMUS SERIES

The Optimus Series LED work lights from TRALERT®: the most powerful LED work lights in the range. If you choose these work lights, you choose a beautifully illuminated work area day and night. The Optimus Series consists of four high-quality LED work lights. This Series of work lights also includes the Mini Fish Eye LED technology for maximum light output and light distribution. Find out what else this Series has to offer on the following pages.





## MORE POWERFUL THAN EVER

The LED work lights from the Optimus Series from TRALERT® are built to perform optimally under all conditions. Due to the robust heavy duty housing, special EMT technology and the mini fish-eye lens, this is the LED work light that performs optimally under all conditions.

This is reflected in, among other things, the lumens. For example, the WF-8082 from the Optimus Series has a whopping 8267 lumens of light output, the most of all LED work lights from the TRALERT® range. This light output in combination with the handy built-in Deutsch connector and high EMC interference suppression of CISPR25 Class 5, makes sure the Optimus Series LED work lights can provide every vehicle with a powerful and perfectly distributed light image.

## MINI FISH-EYE LED TECHNOLOGY

The Mini Fish Eye LED technology, as used in the Optimus Series LED work lights from TRALERT®, uses compact and very powerful LEDs that are designed to provide an exceptionally wide and even light distribution. The maximum light output is transmitted by placing the specially designed lens directly on the LEDs.

This unique 'fish-eye' lens design spreads the light over a larger surface without sacrificing intensity or visibility. This creates a large beam angle with a nice, even light image.





# Optimus Series

The Optimus Series LED work lights from TRALERT® are the most powerful and robust LED work lights in the range. This top-of-the-line Series consists of four closely related LED work lights. Each of these features the Mini Fish Eye LED technology, which, as described on the previous page, ensures maximum light output and light distribution.

You can choose, among other things, an R23 certified reversing lamp in the form of the WR-2426 or an extremely powerful heavy duty work lamp in the form of the WF-8082. They are all equipped with a handy Deutsch connector and meet the strictest quality requirements, such as the CISPR25 EMC interference suppression. This enables the Optimus Series to perform optimally even under the toughest conditions.

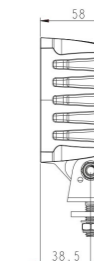
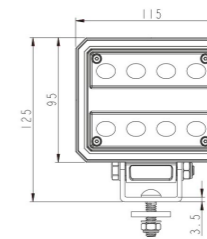
## TRALERT® Optimus Series (Art. WF-4041)

Specifications:

- 4100 lumens
- **ADR certified Flood beam**
- Built-in Deutsch connector
- 9-36V multivoltage
- 8x 5W LEDs
- Dimensions: 115 x 95 x 58mm
- 3,10A at 12V / 1,50A at 24V
- 51,0 lux at 10m / 1,0 lux at 71m
- Beam angle 80°



Built-in DT-conn.:



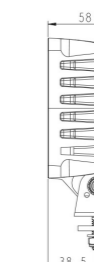
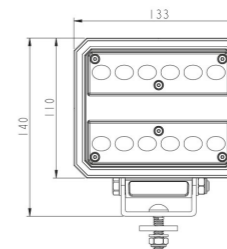
## TRALERT® Optimus Series (Art. WF-6062)

Specifications:

- 6200 lumens
- Flood beam
- Built-in Deutsch connector
- 9-36V multivoltage
- 12x 5W LEDs
- Dimensions: 133 x 110 x 58mm
- 4,30A at 12V / 2,10A at 24V
- 62,0 lux at 10m / 1,0 lux at 79m
- Beam angle 100°



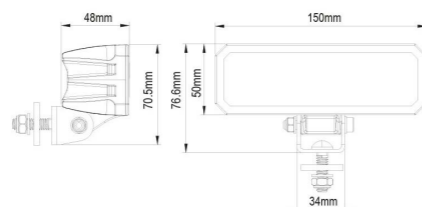
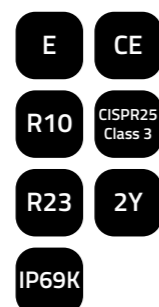
Built-in DT-conn.:



## TRALERT® Optimus Series (Art. WR-2426)

Specifications:

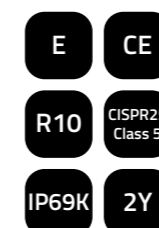
- 2600 lumens
- Flood beam / R23 reverse light
- 30cm cable + Deutsch connector
- 9-36V multivoltage
- 8x 3W LEDs
- Dimensions: 150 x 50 x 48mm
- 1,60A at 12V / 0,88A at 24V
- 16,0 lux at 10m / 1,0 lux at 39m
- Beam angle 140°



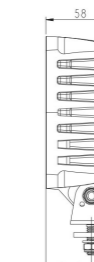
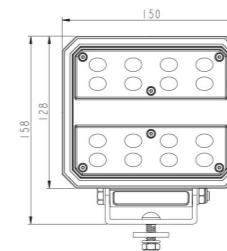
## TRALERT® Optimus Series (Art. WF-8082)

Specifications:

- 8267 lumens
- Flood beam
- Built-in Deutsch connector
- 9-36V multivoltage
- 16x 5W LEDs
- Dimensions: 150 x 128 x 58mm
- 5,10A at 12V / 2,60A at 24V
- 79,0 lux at 10m / 1,0 lux at 89m
- Beam angle 100°



Built-in DT-conn.:





COMPACT POWERHOUSES

## EDGE SERIES

The Edge Series from TRALERT® is a Series of powerful and very compact LED work lights. With these five work lights with wide light distribution, you can create a perfectly illuminated work area for yourself. The strength of this Series lies in the size and placement. The distinctive WR-2428.1 and WF-4856 stand out. Due to the very compact size and mounting angle, these lamps can be mounted in the smallest spaces. Installation is very simple and versatile thanks to the included mounting brackets, which provide a mounting angle of 35° or 48°. Discover more about the TRALERT® Edge Series on the following pages.







## WR-2428.1: IDEAL IN THE ENTRANCE

The WR-2428.1 LED work light from the Edge Series from TRALERT® represents the perfect combination of power, compactness and versatility in LED vehicle lighting. This is due to its uniqueness properties of this LED work light.

The corner mounting is unique to the WR-2428.1 and the WF-4856, the longer variant. This offers unprecedented flexibility in installation. The supplied mounting plate and mounting rubbers, which allow two mounting angles of 35° and 48°, ensure that this work light can become effective even in the most confined spaces installed. This flexibility makes the WR-2428.1 extremely suitable for mounting in, for example, the entry of your vehicle or in other tight places in the bodywork of your vehicles.



## CERTIFIED REVERSE LIGHT

An important feature of the WR-2428.1 is the ECE-R23 certification, which means that this work light is fully approved as a reversing light. This makes the WR-2428.1 not only compact and powerful, but also in accordance with European regulations, which means that this work light can officially be used as a reversing light if mounted correctly.

The light output of 2800 lumens of the WR-2428.1 provides a bright and wide light image. This is essential for the safe maneuvering of vehicles in dark conditions, and provides drivers with a clear and distinct view to the rear, significantly increasing safety when reversing. This versatility, combined with its compact design, makes the WR-2428.1 LED work light an excellent choice for a wide range of vehicles including trucks and trailers.



# Edge Series

The Edge Series from TRALERT® is a Series of powerful and very compact LED work lights, consisting of five unique models. With these work lights with wide light distribution you create a perfectly illuminated work area. You can choose from a compact round model, compact square model, two corner mounting LED work lights and a unique floodlight.

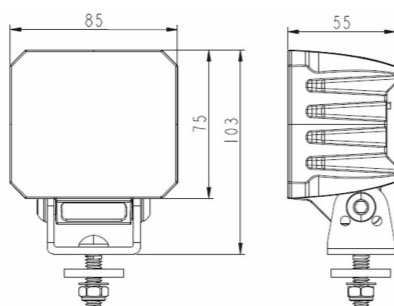
The strength of this Series lies in the size and placement. Due to the very compact size, this Series can be mounted in the smallest spaces. This makes it possible to install a very powerful floodlight that evenly illuminates the entire working area, even in small spaces.

## TRALERT® Edge Series (Art. WF-4038V)

- Specifications:
- 3800 lumens
  - Flood beam
  - Built-in Deutsch connector
  - 9-36V multivoltage
  - 4x 10W LEDs
  - Dimensions: 85 x 75 x 55mm
  - 2,70A sy 12V / 1,40A ay 24V
  - 45 lux at 10m / 1 lux at 67m
  - Beam angle 60°

- E CE
- R10 IP69K
- 2Y

Built-in DT-conn.:

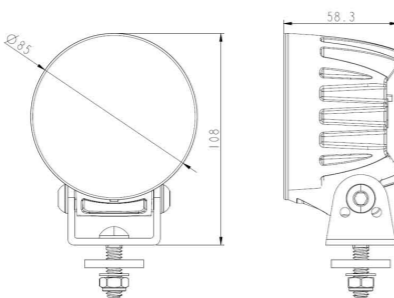


## TRALERT® Edge Series (Art. WF-4038R)

- Specifications:
- 3800 lumens
  - Flood beam
  - Built-in Deutsch connector
  - 9-36V multivoltage
  - 4x 10W LEDs
  - Dimensions: 85 x 58mm
  - 2,70A at 12V / 1,40A at 24V
  - 54 lux at 10m / 1 lux at 74m
  - Beam angle 60°

- E CE
- R10 IP69K
- 2Y

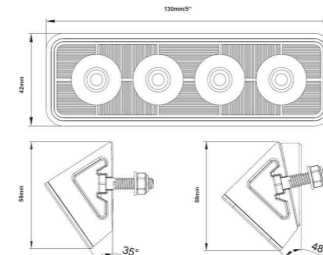
Built-in DT-conn.:



## TRALERT® Edge Series (Art. WR-2428.1)

- Specifications:
- 2800 lumens
  - Flood beam / R23 reverse light
  - 200cm cable + Deutsch connector
  - 9-36V multivoltage
  - 4x 6W LEDs
  - Dimensions: 130 x 42 x 56mm
  - 1,60A at 12V / 0,80A at 24V
  - 34 lux at 10m / 1 lux at 59m
  - Beam angle 70°
  - 2 mounting angles available

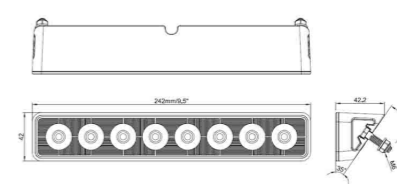
- E CE
- R10 R23
- IP69K CSPR 25 C.3
- 2Y



## TRALERT® Edge Series (Art. WF-4856)

- Specifications:
- 5600 lumens
  - Flood beam
  - 40cm cable + Deutsch connector
  - 9-36V multivoltage
  - 8x 6W LEDs
  - Dimensions: 242 x 42 x 56mm
  - 2,95A at 12V / 1,40A at 24V
  - 64 lux at 10m / 1 lux at 80m
  - Beam angle 70°
  - 2 mounting angles available

- E CE
- R10 CSPR 25 C.3
- IP69K 2Y

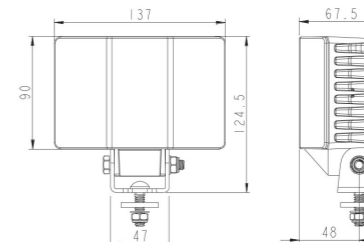


## TRALERT® Edge Series (Art. WF-6056)

- Specifications:
- 5600 lumens
  - Flood beam
  - Built-in Deutsch connector
  - 9-36V multivoltage
  - 6x 10W LEDs
  - Dimensions: 137 x 90 x 67,5mm
  - 4,12A at 12V / 2,1A at 24V
  - 76 lux at 10m / 1 lux at 88m
  - Beam angle 3x 120°
  - Unique placement of the LEDs

- E CE
- R10 CSPR 25 C.5
- IP69K 2Y

Built-in DT-conn.:





WIDE CHOICE OF MODELS

# REGULAR ASSORTMENT

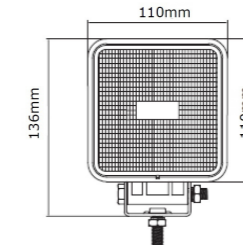
TRALERT® offers you an extensive range of LED work lights, designed to meet all standard requirements within various working environments. Our regular offering focuses on providing reliable and functional lighting solutions that are essential for daily work. These fully certified work lights have been developed with a focus on practicality and ease of use, making them a suitable choice for a wide range of applications. Without compromising on quality, the regular range provides adequate lighting in every situation at a competitive price.

## Art. TRA303P0403 (40cm cable) / TRA303P04003 (400cm cable)

**Specifications:**

- 1500 lumens
- Flood beam
- 40cm / 400cm cable
- 9-36V multivoltage
- 5x 3W LEDs
- Dimensions: 110 x 110 x 41mm
- 0,975A at 12V / 0,525A at 24V
- 8 lux at 10m / 0,25 lux at 56m
- Beam angle 70°

CE 2Y  
IP68

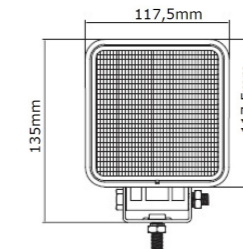


## Art. TRC303P0403 (40cm cable) / TRC303P04003 (400cm cable)

**Specifications:**

- 1800 lumens
- Flood beam
- 40cm cable
- 9-36V multivoltage
- 9x 3W LEDs
- Dimensions: 118 x 118 x 47mm
- 1,84A at 12V / 0,96 at 24V
- 25 lux at 10m / 0,25 lux at 100m
- Beam angle 70°

CE 2Y  
IP68

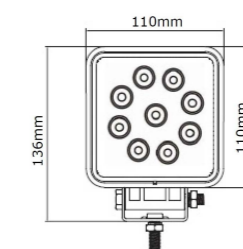


## Art. TRC522P0403

**Specifications:**

- 1710 lumens
- Flood beam
- 40cm cable + Deutsch connector
- 9-33V multivoltage
- 9x 3W LEDs
- Dimensions: 110 x 110 x 27,5mm
- 0,62A at 12V / 0,33A at 24V
- 18 lux at 10m / 0,25 lux at 83m
- Beam angle 60°

CE 2Y  
IP68



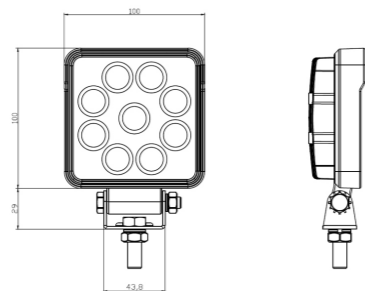


**Art. WR-1317**

**Specifications:**

- 1710 lumens
- Flood beam / R23 reverse light
- 40cm cable + Deutsch connector
- 9-36V multivoltage
- 9x 1,5W LEDs
- Dimensions: 100 x 100 x 40mm
- 1,44A at 12V / 0,71A at 24V
- 10 lux at 10m / 0,25 lux at 55m
- Beam angle 50°

E CE  
R10 R23  
IP69K 2Y

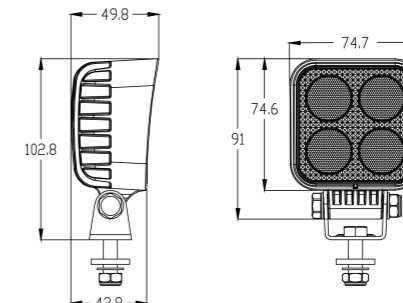


**Art. WF-2332 (50cm cable + Deutsch connector) / WF-2332-4M (400cm cable)**

**Specifications:**

- 3180 lumens
- Flood beam
- 50cm cable / 400cm cable
- Deutsch connector / Open wire
- 9-36V multivoltage
- 4x 5,75W LEDs
- Dimensions: 74,7 x 74,6 x 49,8mm
- 1,90A at 12V / 0,96A at 24V
- 10 lux at 14m / 1 lux at 47m

E CE  
R10 2Y  
IP68

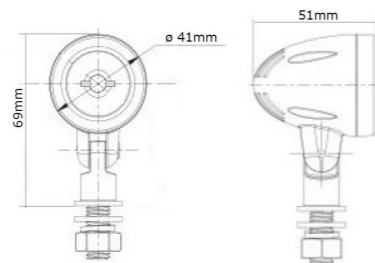


**Art. TRSW12008FB**

**Specifications:**

- 500 lumens
- Flood beam
- 20cm cable
- 9-30V multivoltage
- 1x 5W LED
- Dimensions: 41 x 69 x 51mm
- 0,35A at 12V / 0,16A at 24V
- 4 lux at 10m / 0,25 lux at 35m
- Beam angle 40°

CE 2Y  
IP68

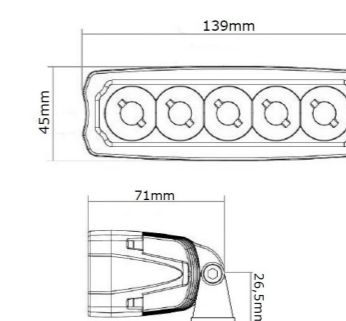


**Art. TRSW12232 E**

**Specifications:**

- 1500 lumens
- Flood beam
- 40cm cable
- 9-36V multivoltage
- 5x 3W LEDs
- Dimensions: 139 x 45 x 71mm
- 1,17A at 12V / 0,54A at 24V
- 42 lux at 10m / 0,25 lux at 130m
- Beam angle 50°

E CE  
R10 2Y  
IP68

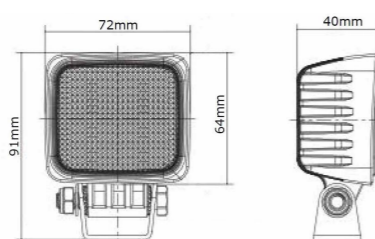


**Art. TRSW12249FB**

**Specifications:**

- 1000 lumens
- Flood beam
- 40cm cable + Deutsch connector
- 9-36V multivoltage
- 4x 3W LEDs
- Dimensions: 72 x 64 x 40mm
- 0,79A at 12V / 0,41A at 24V
- 8 lux at 10m / 0,25 lux at 146m
- Beam angle 20°

CE 2Y  
IP68

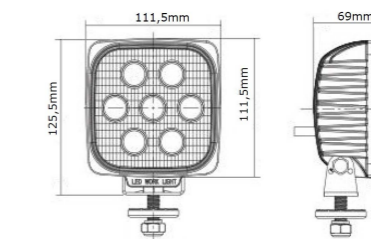


**Art. TRSW12244FB**

**Specifications:**

- 2800 lumens
- Flood beam
- 40cm cable
- 9-36V multivoltage
- 7x 5W LEDs
- Dimensions: 111,5 x 111,5 x 69mm
- 2,35A at 12V / 1,17A at 24V
- 50 lux at 10m / 0,25 lux at 162m
- Beam angle 40°

E CE  
R10 2Y  
IP68





MORE THAN JUST A WORK LIGHT

# MULTIFUNCTIONAL LED WORK LIGHTS

---

Are you looking for LED work lights that can do more than just illuminate your work area? Then get to know the multifunctional LED work lights from TRALERT®. These are unique lighting solutions that combine multiple lighting functions in one modern design. At TRALERT® you will find work lights with built-in flash function or three-color position light, all fully certified. This way you ensure ideal all-round visibility and at the same time increase the visibility of your vehicle for other road users. Discover the full range of multifunctional LED work lights on the following pages.







## THREE COLORS POSITION LIGHT

Meet the Quad Series: the LED work lights that combine four functions in one elegant design. The Series of LED work lights from TRALERT® consists of two work lights and can be used backwards, to the side and forwards. This comes due to the unique feature of this Series: the three-color position lights matching the color of your marker lights and position lights, all fully certified.

You choose which color you want to show, which makes the Quad work lights can be mounted on either side. And if you don't want to use a position light or if you are you mainly looking for a powerful and robust work light? Also then, the Quad LED work light is an excellent choice. With a light output up to 9280 lumens and the highest possible water and dustresistant classification, you can illuminate your work area perfectly under all circumstances.

## BUILT-IN R65 WARNING LIGHT

More than a work light: the WFF-1822A, the LED work light from TRALERT® with built-in amber R65 warning light. This LED work lamp is an example of multifunctionality and innovative design. This recent addition to the TRALERT® range perfectly illustrates how two essential functions - powerful work lighting and eye-catching warning signals - can be seamlessly integrated into a single lamp. The WFF1822A has a 2200 lumen light output and a striking R65 certified warning light function with a choice of 10 flash patterns.

This duality makes the WFF-1822A particularly suitable for a wide range of applications, including construction machinery and vehicles in the truck and trailer sector.





# Multifunctional

Multifunctional LED work lights: lighting that goes beyond just illuminating your work area. These advanced multifunctional LED work lights from TRALERT® are distinguished by their ability to integrate various light functions within a contemporary design. TRALERT® offers work lights that not only illuminate, but are also equipped with additional functions such as an R65 certified warning light or three different colors of R7 certified position light.

With these lights you will not only improve visibility around your work area, but you will also increase safety by increasing the visibility of your vehicle to others on the road. You can increase visibility with the position lights of the Quad Series and alert other road users with the amber warning light of the WFF-1822A.

## LED work light with R65 warning light (Art. WFF-1822A)

Specifications:

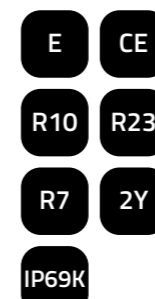
- 2200 lumens
- Flood beam & warning light
- 400cm cable
- 9-36V multivoltage
- 6x 3W LEDs
- Dimensions: 99 x 99 x 53,5mm
- 2,70A at 12V / 1,40A at 24V
- 64 lux at 10m / 1 lux at 55m
- R65 class 2 certified warning light
- 4 flash patterns



## Quad Series LED work light with 3 color position light (Art. 581445)

Specifications:

- 5220 lumens
- Flood beam / R23 reverse light
- 50cm cable
- 12-48V multivoltage
- 9x 5W LEDs
- Dimensions: 102 x 100,8 x 62,5mm
- 1 lux at 77m
- R7 certified position light
- Amber, red & white selectable



## Quad Series LED work light with 3 color position light (Art. 581480)

Specifications:

- 9280 lumens
- Flood beam
- 50cm cable
- 12-48V multivoltage
- 16x 5W LEDs
- Dimensions: 114 x 112 x 74,8mm
- 1 lux at 90m
- R7 certified position light
- Amber, red & white selectable





MANUFACTURED WITH HIGH-QUALITY MATERIAL

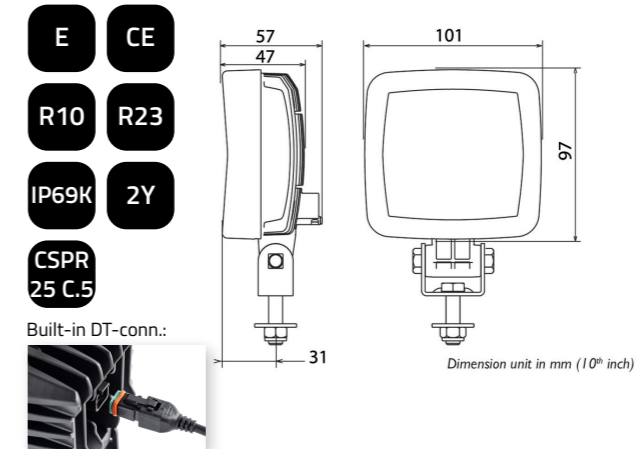
# ABL LED WORK LIGHTS

In addition to its own product lines, TRALERT® also supplies high-quality LED vehicle lighting from Frisom, Vignal and ECCO ESG, among others. These ABL LED work lights are part of the Vignal range. These LED work lights are characterized by the use of only the best materials. For example, the lens is made of tempered glass, these LED work lights have the highest EMC immunity of CISPR25 class 5, they have ISO certificates ISO 13766, ISO 14982 & ISO 12985 and the work lights are R23 certified. This means that the three work lights on the next page can officially be used as reversing lights.

## Art. D14857

### Specifications:

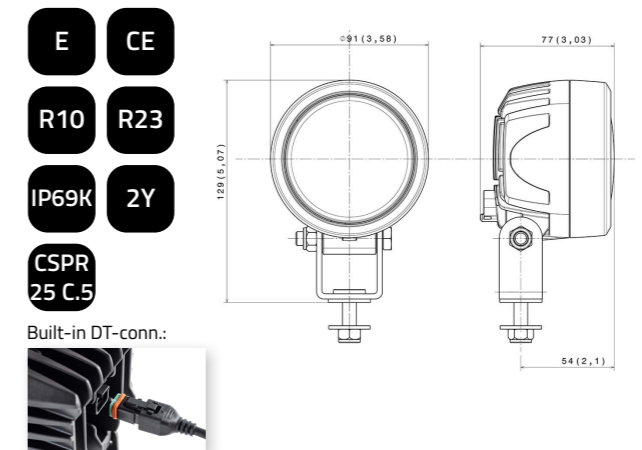
- 1000 lumens
- Flood beam / R23 reverse light
- Built-in Deutsch connector
- 12-24V multivoltage
- 6x 2,33W LEDs
- Dimensions: 101 x 97 x 57mm
- 0,58A at 24V
- Lens made of tempered glass
- ISO 13766, ISO 14982 & ISO 12985



## Art. D14858

### Specifications:

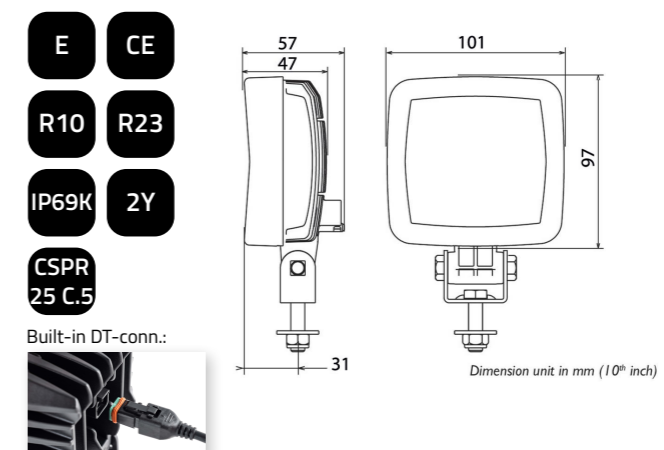
- 1500 lumens
- Flood beam / R23 reverse light
- Built-in Deutsch connector
- 12-24V multivoltage
- 6x 3,33W LEDs
- Dimensions: ø91 x 77mm
- 0,58A at 24V
- Lens made of tempered glass
- ISO 13766, ISO 14982 & ISO 12985



## Art. D14880

### Specifications:

- 1000 lumens
- Flood beam / R23 reverse light
- Built-in Deutsch connector
- 12-24V multivoltage
- 6x 2,33W LEDs
- Dimensions: 101 x 97 x 57mm
- 0,58A at 24V
- Lens made of tempered glass
- ISO 13766, ISO 14982 & ISO 12985





WORK LIGHTS MADE OF GRAPHENE

# GRAPHENE SERIES

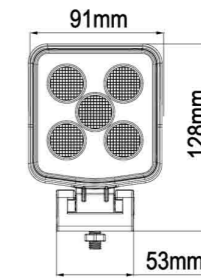
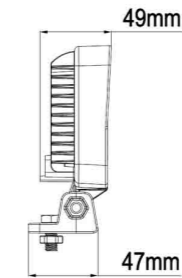
Meet the Graphene Series LED work lights from TRALERT®. The Graphene Series consists of three very strong LED work lights with unique looks and functionalities. The Graphene Series work lights are almost entirely made of graphene, a lightweight plastic that is very strong and impact-resistant. Discover this Series on the following pages.



## TRALERT® Graphene Series (Art. WF-1515)

Specifications:

- 1520 lumens
- Flood beam
- Built-in Deutsch connector
- 9-36V multivoltage
- 5x 3W LEDs
- Dimensions: 128 x 91 x 49mm
- 0,98A at 12V / 0,48A at 24V
- Beam angle 30°
- Lightweight graphene housing



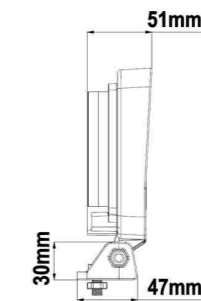
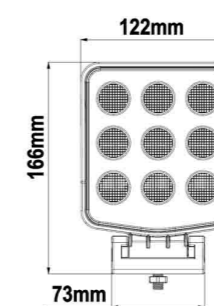
Built-in DT-conn.:



## TRALERT® Graphene Series (Art. WF-2722)

Specifications:

- 2250 lumens
- Flood beam
- Built-in Deutsch connector
- 9-36V multivoltage
- 9x 3W LEDs
- Dimensions: 166 x 122 x 51mm
- 1,98A at 12V / 0,96A at 24V
- Beam angle 25°
- Lightweight graphene housing



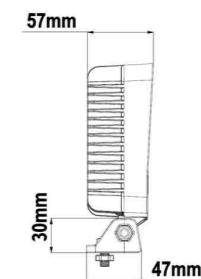
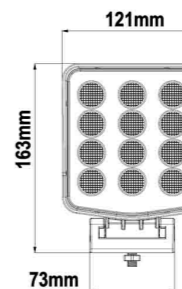
Built-in DT-conn.:



## TRALERT® Graphene Series (Art. WF-3630)

Specifications:

- 3000 lumens
- Flood beam
- Built-in Deutsch connector
- 9-36V multivoltage
- 12x 3W LEDs
- Dimensions: 163 x 121 x 57mm
- 3,15A at 12V / 1,52A at 24V
- Beam angle 30°
- Lightweight graphene housing



Built-in DT-conn.:





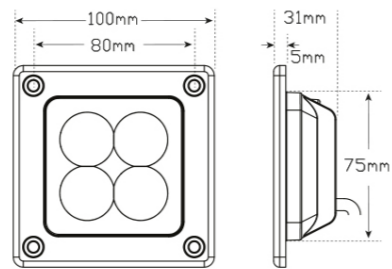
# 7312 Series

The 7312 and 7512 Series LED work lights from ECCO ESG / LED Autolamps offer an advanced lighting solution for vehicles. These compact multivoltage work lights feature high-quality optics and are fully approved to ECE-R23, allowing them to be fitted as reversing lights on your vehicle when fitted correctly. With a 5-year warranty and IP67 rating for water and dust resistance, these lights are designed to perform in all conditions, ensuring bright and clear illumination when needed most.

## Art. 73120BM

**Specifications:**

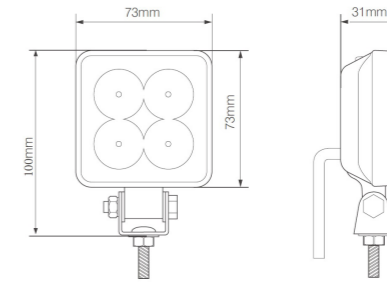
- 660 lumens
- Flood beam / R23 reverse light
- 40cm cable
- 12-24V multivoltage
- 4x 3W LEDs
- Dimensions: 100 x 100 x 5mm
- 0,59A at 12V / 0,27A at 24V
- 2,5 lux at 10m / 0,25 lux at 31m
- Beam angle 80°



## Art. 7312BM

**Specifications:**

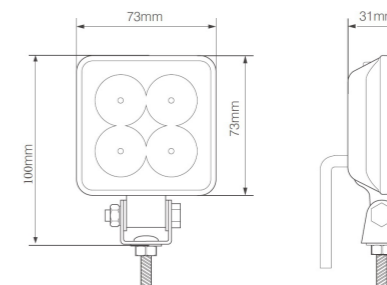
- 660 lumens
- Flood beam / R23 reverse light
- 40cm cable
- 12-24V multivoltage
- 4x 3W LEDs
- Dimensions: 73 x 73 x 31mm
- 0,59A at 12V / 0,27A at 24V
- 2,5 lux at 10m / 0,25 lux at 31m
- Beam angle 80°



## Art. 7312WM

**Specifications:**

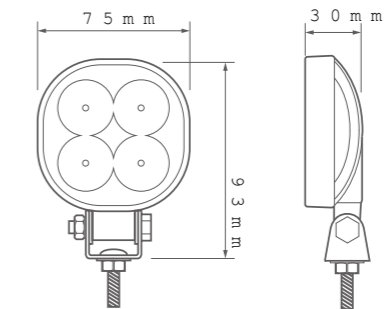
- 660 lumens
- Flood beam / R23 reverse light
- 40cm cable
- 12-24V multivoltage
- 4x 3W LEDs
- Dimensions: 73 x 73 x 31mm
- 0,59A at 12V / 0,27A at 24V
- 2,5 lux at 10m / 0,25 lux at 31m
- Beam angle 80°



## Art. 7512BM

**Specifications:**

- 660 lumens
- Flood beam / R23 reverse light
- 40cm cable
- 12-24V multivoltage
- 4x 3W LEDs
- Dimensions: 75 x 75 x 30mm
- 0,59A at 12V / 0,27A at 24V
- 2,5 lux at 10m / 0,25 lux at 31m
- Beam angle 80°





WELL-LIT SMALL SPACES

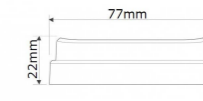
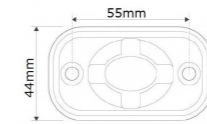
# CLEARANCE LAMPS

TRALERT® clearance lamps are ideally suited for mounting in small spaces where just that little extra light is required. These very compact lamps are equipped with powerful LEDs that guarantee bright and efficient lighting. Furthermore, these lamps are IP67 certified for excellent water and dust resistance. They are designed for easy installation and durability with a strong housing and mounting options. To complement these mounting options, three different mounting rubbers are available. These make it easy to mount the lights at the right angle on a convex or angled surface.

## Art. 7705BM

### Specifications:

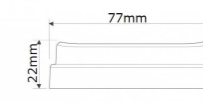
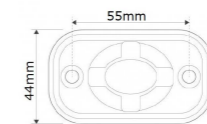
- 570 lumens
- Flood beam
- 50cm cable
- 9-30V multivoltage
- 3x 1,5W LEDs
- Dimensions: 77 x 44 x 22mm
- 0,30A at 12V / 0,10A at 24V
- Beam angle 50°



## Art. 7705WM

### Specifications:

- 570 lumens
- Flood beam
- 50cm cable
- 9-30V multivoltage
- 3x 1,5W LEDs
- Dimensions: 77 x 44 x 22mm
- 0,30A at 12V / 0,10A at 24V
- Beam angle 50°



## Matching mounting rubbers

Art. 7705RP2 (for 7705BM & 7705WM)



Art. 7705RP3 (for 7705BM & 7705WM)





# 3617 Series

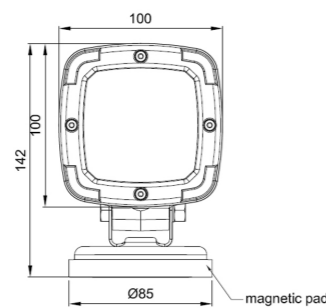
The lights in this overview are from our supplier Fristom. The 3617 Series consists of a wide range of robust LED work lights with excellent performance. They all have the same dimensions and housing, but differ in some specifications.

For instance, there is a difference in the light output and you can choose from several connectors, including a curling cable with different lengths, several variants with open wire end or a built-in Deutsch connector. There are also variants available that are **fully ADR-certified**. More information on ADR certification can be found on *page 44*.

## Art. WF-3610MM30 / WF-3610MM78

Specifications:

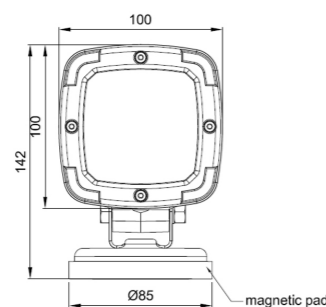
- 1000 lumens
- Flood beam
- Curling cable with cigarette lighter
- WF-3610MM30: 300cm cable
- WF-3610MM78: 780cm cable
- 12-24V multivoltage
- 9 x 0,65W LEDs
- Dimensions: 100 x 100 x 103mm
- 0,50A at 12V / 0,25A at 24V
- Plastic housing
- 6 frame colors available (p. 63)



## Art. WF-3617MM30 / WF3617MM78

Specifications:

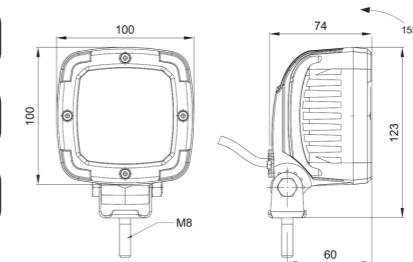
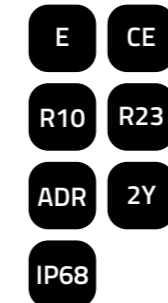
- 1700 lumens
- Flood beam
- Curling cable with cigarette lighter
- WF-3617MM30: 300cm cable
- WF-3617MM78: 780cm cable
- 12-24V multivoltage
- 9 x 1,5W LEDs
- Dimensions: 100 x 100 x 103mm
- 1,10A at 12V / 0,55A at 24V
- Plastic housing
- 6 frame colors available (p. 63)



## Art. WR-3602ADR

Specifications:

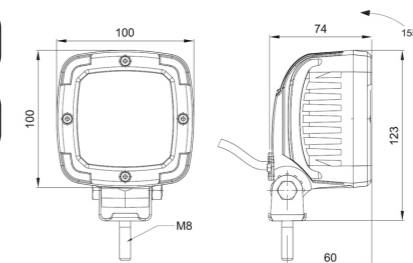
- 650 lumens
- Flood beam / R23 reverse light
- 150cm cable
- 12-36V multivoltage
- 9 x 0,4W LEDs
- Dimensions: 100 x 100 x 74mm
- 0,28A at 12V / 0,14A at 24V
- Plastic housing
- 6 frame colors available (p. 63)
- **ADR certification**



## Art. WF-3617ADR / WF-3617ADR4M / WF-3617ADR

Specifications:

- 1700 lumens
- **ADR certified flood beam**
- WF-3617ADR: 150cm cable
- WF-3617ADR4M: 400cm cable
- WF-3617ADR: Deutsch connector
- 12-36V multivoltage
- 9 x 1,5W LEDs
- Dimensions: 100 x 100 x 74mm
- 1,10A at 12V / 0,55A at 24V
- Plastic housing
- 6 frame colors available (p. 63)



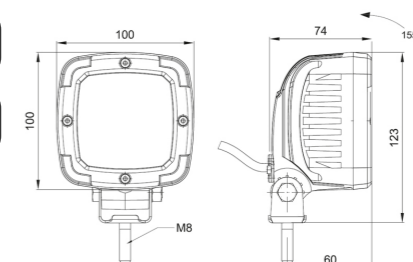
WF-3617ADR:



## Art. WF-3617ADRW

Specifications:

- 1700 lumens
- **ADR certified flood beam**
- 150cm cable
- 12-36V multivoltage
- 9 x 1,5W LEDs
- Dimensions: 100 x 100 x 74mm
- 1,10A at 12V / 0,55A at 24V
- White housing color
- Plastic housing
- 6 frame colors available (p. 63)





MEETS ALL SAFETY REQUIREMENTS

# ADR LED WORK LIGHTS

TRALERT® also offers ADR certified work lights in addition to the range. For example, if you transport hazardous substances that fall under the ADR standards, you are obliged to equip your vehicle with, among other things, ADR-certified LED lighting. These lamps have been tested for fire & explosion safety.

The abbreviation ADR (Accord Européen relatif au transport international des marchandises dangereuses par route) is a European agreement for the international transport of dangerous goods by road. This sets out the legal rules (including lighting) that the transport of hazardous substances must comply with.

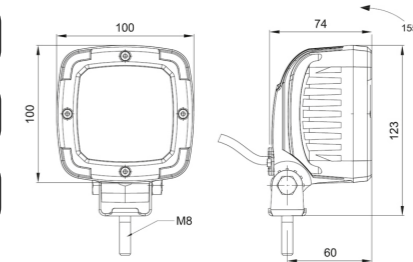
TRALERT® has a wide selection of LED work lights with an ADR certificate. These are suitable for mounting on your ADR vehicle. The work lights are equipped with shielded electronics to prevent fire & explosion hazard.

The range of ADR work lights are equipped with Osram LEDs that emit a clear light image, in combination with the lens a good light distribution is created.

## Art. WF-3628ADR

### Specifications:

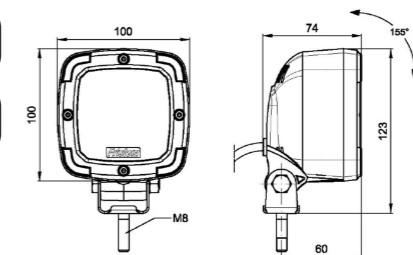
- 2800 lumens
- Flood beam
- 150cm cable
- 12-36V multivoltage
- 9 x 3,75W LEDs
- Dimensions: 100 x 100 x 74mm
- 2,8A at 12V / 1,4A at 24V
- Aluminium housing
- 6 frame colors available (p. 63)
- **ADR certification**



## Art. WF-3841 / WF-3841DT

### Specifications:

- 4100 lumens
- Flood beam
- WF-3841: 150cm cable
- WF-3841DT: Deutsch connector
- 12-36V multivoltage
- 9 x 4,25W LEDs
- Dimensions: 100 x 100 x 74mm
- 3,2A at 12V / 1,6A at 24V
- Aluminium housing
- 6 frame colors available (p. 63)



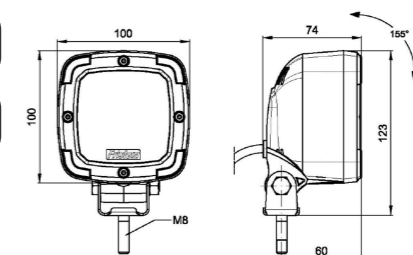
WF-3841DT:



## Art. WS-3841 / WS-3841DT

### Specifications:

- 4100 lumens
- Driving light (spot beam)
- WF-3841: 150cm cable
- WF-3841DT: Deutsch connector
- 12-36V multivoltage
- 9 x 4,25W LEDs
- Dimensions: 100 x 100 x 74mm
- 3,2A at 12V / 1,6A at 24V
- Aluminium housing
- 6 frame colors available (p. 63)



WS-3841DT:





WORK LIGHTS WITH HORIZONTAL OR VERTICAL MOUNTING

# OVAL LED WORK LIGHTS

Oval LED work lights with robust housing, 6 powerful LEDs and 12-24V multivoltage: these are the work lights you see on the right page. This Series meets the strictest quality requirements, which is reflected in, for example, EMC interference suppression. This is CISPR25 class 5 and complies with ISO standards ISO 13766, ISO 14982 & ISO 12985. Furthermore, this Series is equipped with a built-in Deutsch connector as standard. You can choose from 1000, 1500 or 2000 lumens light output, for a light image that suits the application you need. You can also choose from vertical or horizontal mounting.

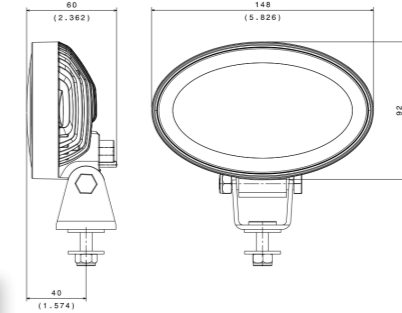
## Art. D14965 / D14966 / D14967

### Specifications:

- D14965: 1000 lumens, 14W
- D14966: 1500 lumens, 20W
- D14967: 2000 lumens, 29W
- Flood beam
- Built-in Deutsch connector
- 12-24V multivoltage
- 6 LEDs
- Dimensions: 148 x 92 x 60mm
- ISO 13766, ISO 14982 & ISO 12985



Built-in DT-conn.:



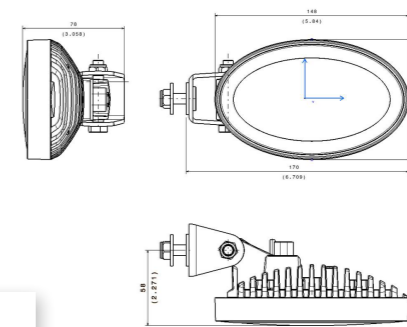
## Art. D15093 / D15094 / D15095

### Specifications:

- D15093: 1000 lumens, 14W
- D15094: 1500 lumens, 20W
- D15095: 2000 lumens, 29W
- Flood beam
- Built-in Deutsch connector
- 12-24V multivoltage
- 6 LEDs
- Dimensions: 148 x 92 x 60mm
- ISO 13766, ISO 14982 & ISO 12985



Built-in DT-conn.:





LIGHTING WHICH REDUCES GLARE

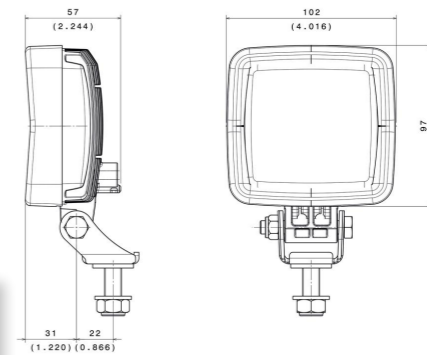
# NO-GLARE WORK LIGHTS

A unique feature within the TRALERT® range: no-glare LED work lights. This lighting includes the integration of No Glare optical modules, designed to reduce glare without affecting overall lighting coverage. This technology focuses the light specifically where it is needed, which contributes to safety and visual comfort for users in the vicinity of the machines on which this lighting is mounted. The lamps are equipped with only the best materials, resulting in, among other things, an EMC CISPR25 class 5 certification in accordance with the strict specifications of manufacturers.

## Art. D14968

### Specifications:

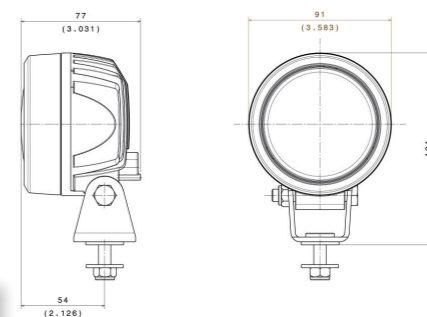
- 2000 lumens
- Flood beam
- Built-in Deutsch connector
- 12-24V multivoltage
- 6x 4,83W LEDs
- Dimensions: 102 x 97 x 63mm
- Lens made of tempered glass
- Special "no-glare" technology



## Art. D15077

### Specifications:

- 2000 lumens
- Flood beam
- Built-in Deutsch connector
- 12-24V multivoltage
- 6x 4,83W LEDs
- Dimensions: 91 x 77mm
- Lens made of tempered glass
- Special "no-glare" technology



## No-glare effect visualized

Prevents glare by a better light spread





# CARBON-LUX Series

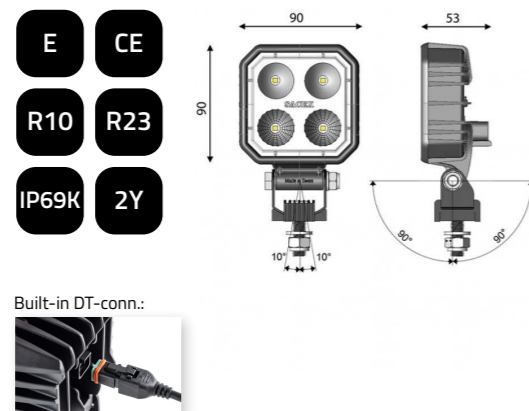
Are you looking for very robust but also light LED work lights? Then the CARBON-LUX Series is the ideal LED work light for you. These seven LED work lights are all equipped with a carbon fiber housing. This material is known for its very high stiffness and low weight, which makes it the ideal housing for these work lights. An additional advantage is that this material does not oxidize under the influence of water and oxygen, which significantly extends the lifespan of a work light.

Within this CARBON-LUX Series you will find seven LED work lights. There is a choice of an open cable end or Deutsch connector and there is also a variant with a switch on the lamp itself. With 1000 to 2000 lumens of light output, there is always a variant available that is powerful enough to illuminate your work area.



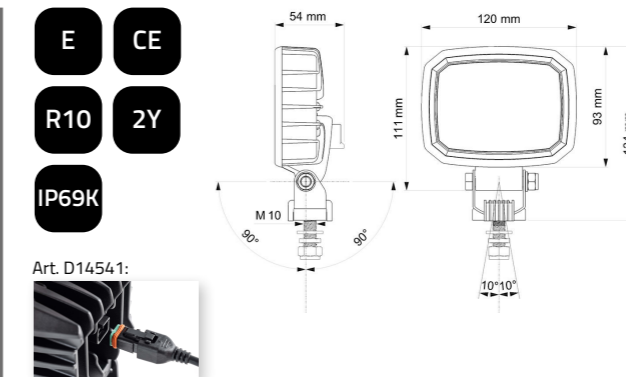
## Art. D14759 / D14811

- Specifications:
- 1000 lumens
  - Flood beam / R23 reverse light
  - Built-in Deutsch connector
  - 10-30V multivoltage
  - 4x 2,25W LEDs
  - Dimensions: 90 x 90 x 45mm
  - Carbon housing
  - D14759: without switch
  - D14811: with switch



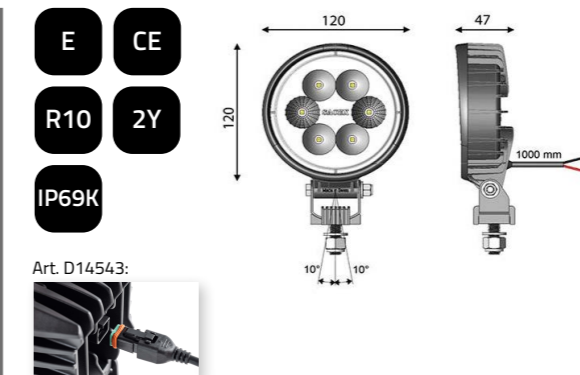
## Art. D14540 / D14541

- Specifications:
- 1500 lumens
  - Flood beam
  - D14540: 100cm cable
  - D14541: Deutsch connector
  - 10-30V multivoltage
  - 6x 2W LEDs
  - Dimensions: 120 x 90 x 53mm
  - Carbon housing



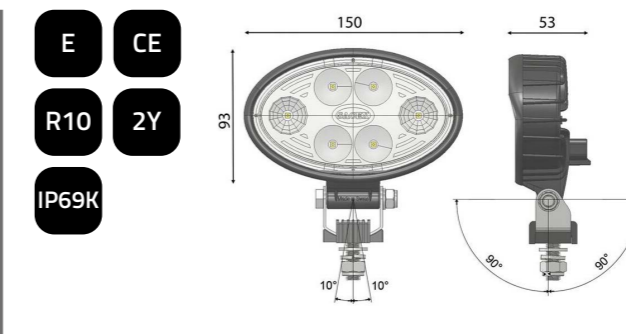
## Art. D14542 / D14543

- Specifications:
- 1500 lumens
  - Flood beam
  - D14542: 100cm cable
  - D14543: Deutsch connector
  - 10-30V multivoltage
  - 6x 2W LEDs
  - Dimensions:  $\phi$ 120 x 47mm
  - Carbon housing



## Art. D14557

- Specifications:
- 2000 lumens
  - Flood beam
  - Cable met Open wire
  - 10-30V multivoltage
  - 6x 2W LEDs
  - Dimensions: 150 x 93 x 45mm
  - Carbon housing





# Corner mounting

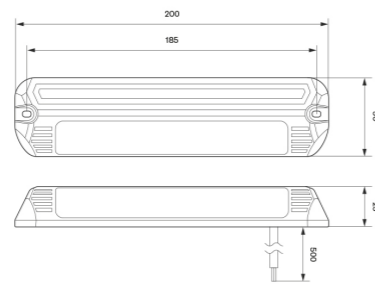
In addition to the Edge Series LED work lights from TRALERT®, this SL-200 Series also has the special corner mounting. This makes the SL-200 Series extremely suitable for mounting in places in the bodywork where space is limited. Thanks to the light output of 1980 lumens, a powerful work light can be mounted without taking up much space.

Unique to this Series is the choice of five different color combinations. For example, there is a choice of a completely white and black variant. This way you can easily choose the variant that best matches the color of your vehicle.

## Art. SL200WM

### Specifications:

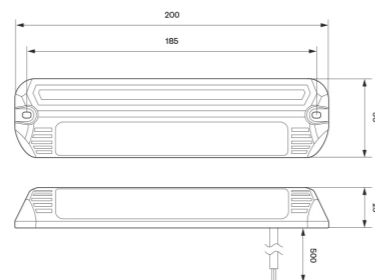
- 1980 lumens
- Flood beam
- 50cm cable
- 12-24V multivoltage
- 18 x 0,6W LEDs
- Dimensions: 200 x 50 x 25mm
- Easy corner mounting
- Color: white



## Art. SL200BM

### Specifications:

- 1980 lumens
- Flood beam
- 50cm cable
- 12-24V multivoltage
- 18 x 0,6W LEDs
- Dimensions: 200 x 50 x 25mm
- Easy corner mounting
- Color: black



# W-2200 series

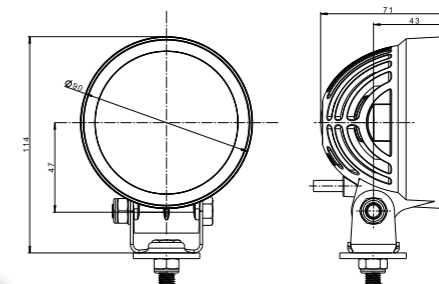
The W-2200 series is a compact, round LED work light from the TRALERT® range, supplied by Horpol. This compact light features the unique option of either a spot beam or flood beam. Products starting with 'WS' have a driving light beam pattern, while those with 'WF' have a traditional work light beam pattern.

This series is also versatile in terms of connections. There are options available with an open wire, a built-in Deutsch connector, a magnetic base with a 3m coiled cable, and a magnetic base with a 7.8m coiled cable.

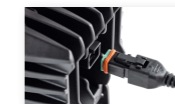
## Art. WF-2225(DT/MM3.0/MM7.8)

### Specifications:

- 2500 lumens
- Flood beam
- ø90 x 71mm
- 12-32V multivoltage
- 6 x 3,67W LEDs
- Optional with magnetic base (MM)
- WF-2225: cable with open wire
- WF-2225DT: Deutsch connector
- WF-2225MM3.0: 300cm coiled cable
- WF-2225MM7.8: 780cm coiled cable



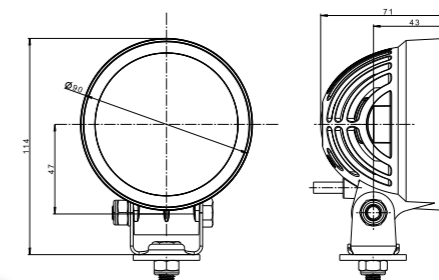
Art. WF-2225DT:



## Art. WS-2225(DT/MM3.0/MM7.8)

### Specifications:

- 2500 lumens
- Driving light
- ø90 x 71mm
- 12-32V multivoltage
- 6 x 3,67W LEDs
- Optional met magneetvoet (MM)
- WS-2225: cable with open wire
- WS-2225DT: Deutsch connector
- WS-2225MM3.0: 300cm coiled cable
- WS-2225MM7.8: 780cm coiled cable



Art. WS-2225DT:





# Search lights

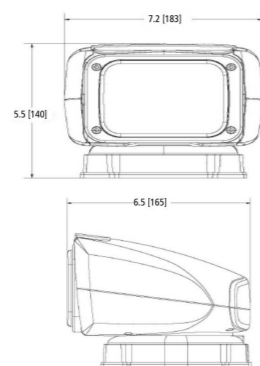
The EW3000 series search lights from ECCO ESG are multifunctional, motorized searchlights with 12-24 VDC operation. These four unique work lights have a spot beam and can be installed wirelessly. The remote-controlled search lights are protected by a polycarbonate lens and the housings are available in black or white.

The EW3000 series offers a rotation range of 350 degrees and a tilt range of 90 degrees, with patented reflective optics. The ASA resin housing makes the EW3000/3001 corrosion, UV and shock resistant.

The EW3010 and EW3011 go one step further and can be rotated a full 360 degrees. They also have an even greater tilt range of no less than 135 degrees and have an optional joystick control on the dashboard. The spotlight also has a home setting that allows the lamp to automatically return to its original position when the device is turned off.

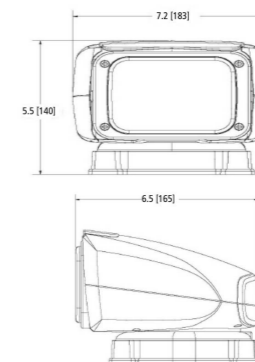
## Art. EW3000

- Specifications:
- 1750 lumens
  - Spot beam / search light
  - 40cm cable
  - 12-24V multivoltage
  - 6 x 5W LEDs
  - Dimensions: 159 x 140 x 193mm
  - 350° rotation range
  - 90° tilt range
  - Color: black



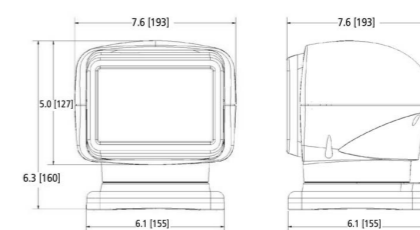
## Art. EW3001

- Specifications:
- 1750 lumens
  - Spot beam / search light
  - 40cm cable
  - 12-24V multivoltage
  - 6 x 5W LEDs
  - Dimensions: 159 x 140 x 193mm
  - 350° rotation range
  - 90° tilt range
  - Color: white



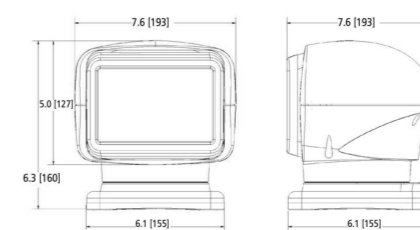
## Art. EW3010

- Specifications:
- 2250 lumens
  - Spot beam / search light
  - 40cm cable
  - 9-36V multivoltage
  - 10 x 5W LEDs
  - Dimensions: 182 x 190 x 166mm
  - 360° rotation range
  - 135° tilt range
  - Color: black



## Art. EW3011

- Specifications:
- 2250 lumens
  - Spot beam / search light
  - 40cm cable
  - 9-36V multivoltage
  - 10 x 5W LEDs
  - Dimensions: 182 x 190 x 166mm
  - 360° rotation range
  - 135° tilt range
  - Color: white





CREATE A SAFE WORK ENVIRONMENT

# SAFETY LED WORK LIGHTS

TRALERT® supplies an extensive range of safety LED work lamps, including blue spot and red line lamps. The blue spot, popular in the forklift sector, projects a blue spot on the floor, warning of approaching vehicles. This is especially effective in warehouses. These lights increase safety by warning pedestrians and other vehicle drivers in time.

The red line lights, used in warehouses and on construction vehicles such as excavators, project a red line indicating where to stay for safety. This can also be an ideal solution for truck tailgates. TRALERT® also offers additional safety lights such as the LED RED semi circle and the blue arrow, which project a semi-red circle and an arrow on the floor respectively for extra safety measures. Find out on the following pages which safety lights suit your vehicle best!





# Safety LED work lights

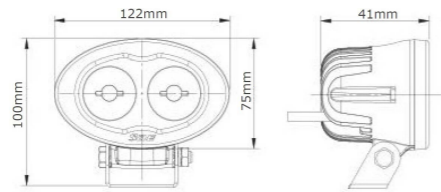
TRALERT® supplies a varied range of LED safety work lights, with core products such as the red line and blue spot work lights. These are aimed at improving visibility and safety in various work settings. The red line lights create a red safety line on the ground, complementary are the blue spot lights, popular in the forklift industry, which project a blue spot to indicate the approach of vehicles, essential for warehouse safety.

TRALERT® enriches this line with innovative products such as the LED RED semi-circle and blue arrow, which project a semi-circle and an arrow on the floor respectively for additional warnings. A visual overview of the various functions can be found on page 61 of this catalogue.

## Art. TRSW12235-B110

### Specifications:

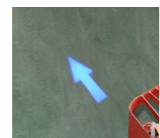
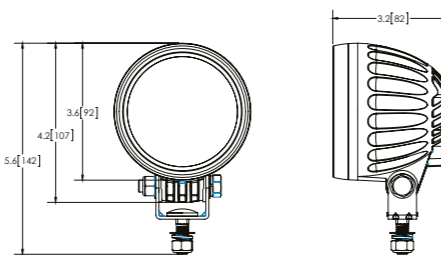
- Blue spot safety work light
- Clear blue dot projected
- 40cm cable
- 9-110V multivoltage
- 2x 5W blauwe LEDs
- Dimensions: 122 x 75 x 41mm
- 0,41A at 12V / 0,12A bij 110V



## Art. EW2010B

### Specifications:

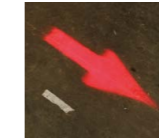
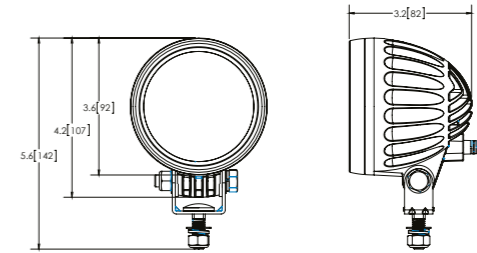
- Blue arrow safety work light
- Clear blue arrow projected
- 12-60V multivoltage
- Dimensions: ø92 x 83mm
- Aluminium housing
- Polycarbonate lens



## Art. EW2010R

### Specifications:

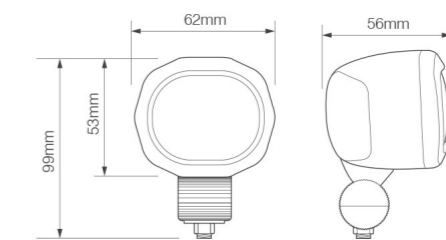
- Red arrow safety work light
- Clear red arrow projected
- 12-60V multivoltage
- Dimensions: ø92 x 83mm
- Aluminium housing
- Polycarbonate lens



## Art. D14358

### Specifications:

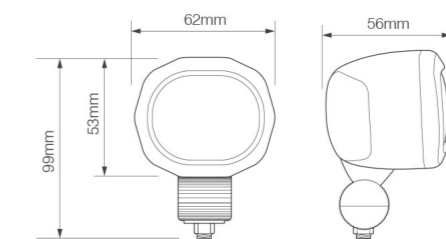
- Red line safety work light
- Clear red line projected
- 40cm cable
- 10-80V multivoltage
- 2x 3W LEDs
- Dimensions: 53 x 63 x 56mm
- 0,38A at 12V / 0,06A bij 80V



## Art. D14357

### Specifications:

- Blue line safety work light
- Clear blue line projected
- 40cm cable
- 10-80V multivoltage
- 2x 3W LEDs
- Dimensions: 53 x 63 x 56mm
- 0,38A at 12V / 0,06A bij 80V





**Art. EW2031R**

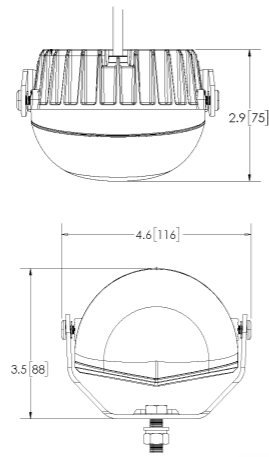
**Specifications:**

- Red circle safety work light
- Red semi-circle projected
- 30cm cable
- 10-80V multivoltage
- Dimensions: 116 x 88 x 75mm
- 156 lumens
- 1x 6W LED

E CE

R10 3Y

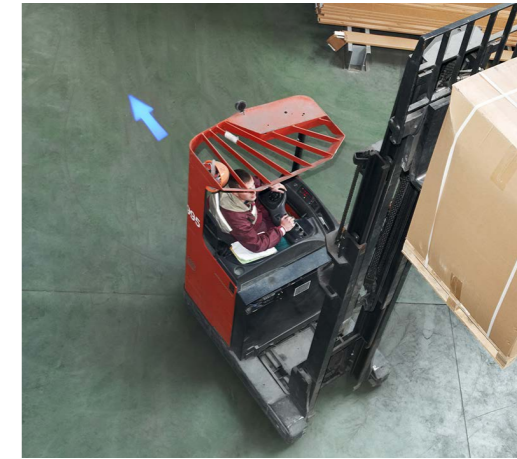
IP67



Blue Spot (Art. TRSW12235-B110)



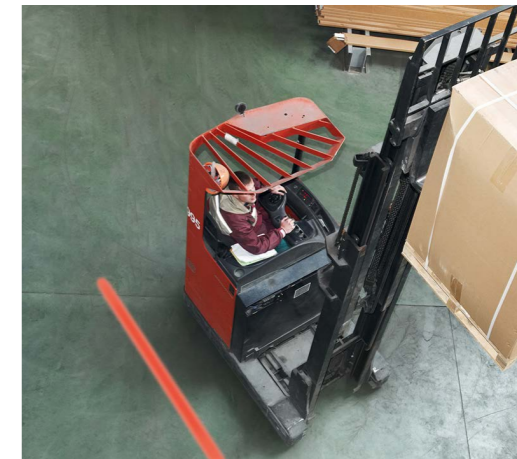
Blue Arrow (Art. EW2010B)



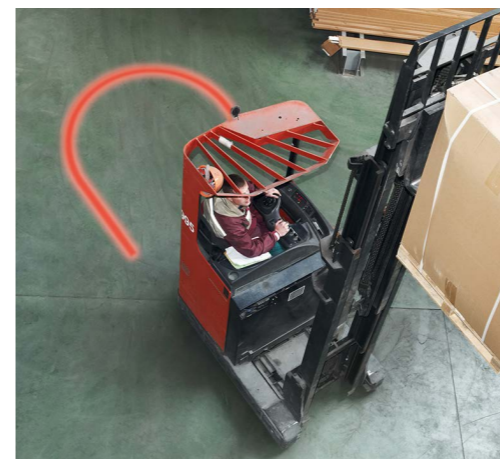
Blue Line (Art. D14357)



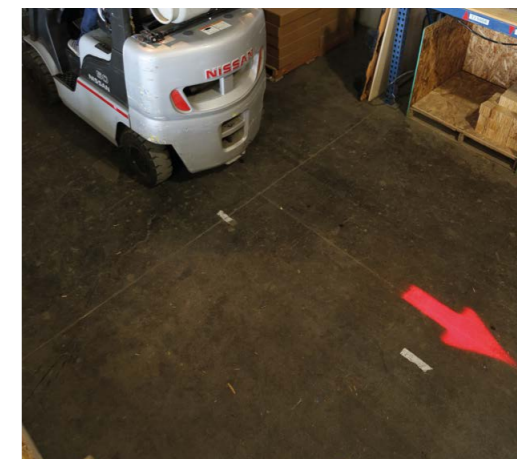
Red Line (Art. D14358)



Red Semi-Circle (Art. FLRSC01)



Red Arrow (Art. EW2010R)





# Accessories

In addition to the LED work lights themselves, TRALERT® also supplies a wide range of accessories and others. On these pages you will find a selection of accessories that are suitable for the LED work lights from this catalogue.

The range includes several extension cables, a Y-cable, adapter cables, Deutsch connector sets, SuperSeal connector sets and magnetic feet. This can make correct mounting and placement of your LED work lights a lot easier. Finally, there are also colored fronts, especially for the 3617 series from this catalogue.

6-pins Deutsch connector male set (Art. DT-06SET)



SuperSeal male set 2-PIN with thule (Art. SSC-M-SET)



400cm cable with cover for Deutsch connector (Art. WAC-40DTC)



1500cm cable with cover for Deutsch connector (Art. WAC-150DTC)



SuperSeal female set 2-PIN with thule (Art. SSC-F-SET)



Powerful magneting foot for work light (Art. TRSW12010MG)



Y-cable 1x30cm male & 2x100cm female (Art. WAC-30100Y)



4-pins Deutsch connector male set (Art. DT-04SET)



Verloopcable 2-PIN female Deutsch connector naar H11 (Art. KAC-DT-H11)



Colored frame 3617-series work lights page 42-45 (Art. WAC-36WIT, WAC-36ZWART, WAC-36ROOD, WAC-36GRIJS, WAC-36GROEN, WAC-36GEEL)





ONE COMPLETE SOLUTION FOR YOUR VEHICLE

# PLUG-&-PLAY LED PACKAGE

At TRALERT® you are not only at the right place for individual LED lights. As a partner in the field of LED vehicle lighting, we also offer plug-and-play LED packages. These complete LED packages include LED lighting, wiring harnesses and all the necessary equipment for easy installation on your vehicles. As every lighting issue requires a different solution, we offer three options:

1

## THE REGULAR RANGE

This LED package is composed with care from articles we carry within our wide regular product range. This package includes lighting, wiring harnesses and other accessories, which are available from stock.

2

## TAILORED SOLUTIONS

Is a solution to your lighting problem not immediately possible with articles from our regular product range? Then TRALERT® offers the possibility of customization to achieve a suitable solution.

3

## LED PACKAGE IN YOUR BRAND IDENTITY

Would you like to offer the complete lighting solution to your customers in a personalised form? Then TRALERT® offers the possibility of designing and packaging the LED package in your recognisable brand identity.





## CONTENTS OF THE TRALERT® LED PACKAGE

TRALERT®'s LED package consists of LED lighting, cable harnesses and other accessories. The cable harnesses and accessories used are equipped with the right connectors that fit one-to-one with the LED lighting from the TRALERT® product range. This way, you can easily and quickly put together a complete LED package that can be assembled plug-and-play.

### THE REGULAR WIRING HARNESS RANGE

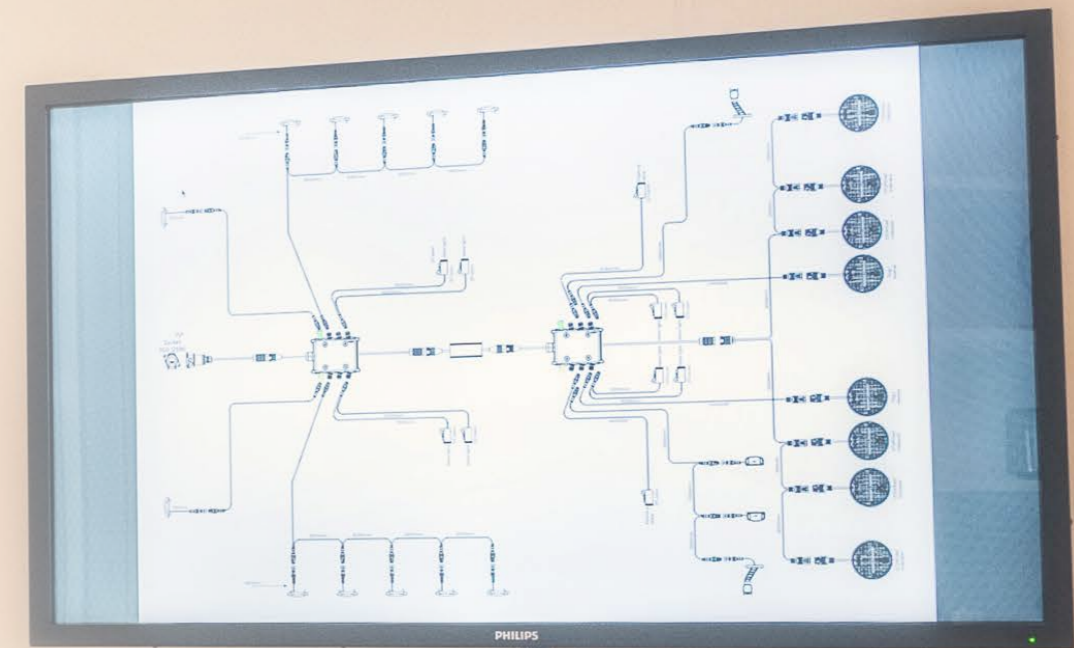
The regular range consists of several wiring harness systems, including a 7-PINs AMP system and a 5-PINs bayonet system. These harness systems are available with 7- and 13-PIN plugs and various harness lengths ranging from 4 to 14 metres long. Each wiring harness solution allows the connection of at least two rear lights with all necessary functions per side.

Do you also want to connect marker lights, front position lamps and license plate lights? Then the wiring harness system can be equipped with DC connectors. The lights with blue 0.75mm<sup>2</sup> connector from the TRALERT® range are ideal for this purpose.

TRALERT® also offers a wide range of cables, adapters from 7- to 13-pole and vice versa, resistors and other accessories to complete your lighting solution. Thus, with TRALERT®'s extensive regular product range you can create a suitable cabling and lighting solution in most cases.

### TAILOR-MADE CABLING

Should the regular range of lighting, wiring harness systems and accessories not quite match your lighting requirements, TRALERT® offers the possibility of tailored solutions. We can build the complete lighting package according to your wishes. Think here of lengths exactly matching your vehicle, creating connections for multiple rear lights and/or adapting the connectors. In this way, together we develop the complete lighting solution for your vehicles.





## RECOGNISABLE LED PACKAGE IN YOUR BRAND IDENTITY

Are you looking for a complete plug-and-play lighting solution where the entire package is nicely packaged and beautifully designed in your corporate design? Then TRALERT® offers the customised lighting set in the form of the LED upgrade package.

### THE ADVANTAGES OF HAVING YOUR OWN PACKAGE

The LED upgrade package is a customised package of TRALERT® LED lighting, cabling, any necessary accessories and an assembly manual. This package is simply packed and designed in one box, which allows us to respond to the efficient delivery of our partners. As a result, you do not have to order separate lighting and wiring harnesses; instead, you simply and quickly order all the lighting your vehicle needs. Does your company work with a dealer network where, for example, several excavators a year are fitted with LED lighting? Then a personalised LED package could certainly be interesting.

The composition of the package is made on the basis of the purpose and wishes of the customer and where necessary also regarding other issues that are important. Think, for example, of new regulations for excavators or agricultural vehicles driving on public roads. In this way, we try to unburden our partners as much as possible. After all, good customer service is a factor in which TRALERT® wants to distinguish itself.

By default, a LED package is delivered in a TRALERT® box, but if required, we can also develop a customised box. In that case, you will receive the LED package in one nice box in your company's brand identity.

### ADDITIONAL MARKETING SUPPORT

If you opt for a recognizable LED package in your own house style and want to market it to your customers, TRALERT® can relieve you of this task. With our own TRALERT® marketing team, we are in an excellent position to support you in areas such as customised brochures, complete shop-in-shop support and the delivery of customised social media content. This allows you to bring a your complete LED package in your own house style to the attention of your target group with little effort.





# LEGEND

E

E mark is a seal of approval that shows that your vehicle or product complies with EC directives. EC directives can be taken to mean European Union legislation.

CE

The CE mark is a Europe-wide agreement on the safety of products in the EU, which is subject to many rules. For LED vehicle lighting, CE marking is mandatory.

IP67

IP stands for 'International Protection Rating' and indicates whether a product is dust- and waterproof. IP67 means dustproof and submersible to a depth of 1 metre for up to 30 minutes.

IP68

IP stands for 'International Protection Rating' and indicates whether a product is dust- and waterproof. IP68 means dust- and waterproof to deeper than 1 metre & longer than 30 minutes.

IP69K

IP stands for 'International Protection Rating' and indicates whether a product is dust- and waterproof. IP69K means completely dust-, water-, moisture- and high-pressure-proof.

2Y

2Y stands for a two-year warranty on internal components. In case of a technical defect in the lamp within the warranty period, you will receive a working new one.

3Y

3Y stands for a three-year warranty on internal components. In case of a technical defect in the lamp within the warranty period, you will receive a working new one.

5Y

5Y stands for a five-year warranty on internal components. In case of a technical defect in the lamp within the warranty period, you will receive a working new one.

CISPR  
Class 3

CISPR 25 Class 3 is a classification for components designed to have the lowest level of electromagnetic emissions, so that systems function properly without interference.

CISPR  
Class 5

CISPR 25 Class 5 is a classification for components designed to have the lowest level of electromagnetic emissions, so that systems function properly without interference.

R10

ECE-R10 is a type approval for electrical systems on vehicles and means that lighting does not interfere with other electrical equipment.

R23

ECE-R23 is a requirement for reversing lights. ECE-R23 certified lights may be officially operated as reversing lights when correctly fitted and connected.

R7

ECE-R7 is a requirement for position lights / marker lights. ECE-R7 certified lights may be officially operated as position lights when correctly fitted and connected.

R65  
Class 2

ECE-R65 Class 2 is a requirement for beacons. ECE-R65 Class 2 certified lights may be officially carried as beacons when correctly fitted and connected.

ADR

ADR is a European agreement for international road transport of dangerous goods. It sets out the legal rules that transport of dangerous goods must comply with.



## DISCOVER TRALERT® ONLINE

Would you like additional information on the lighting from this catalogue or are you curious about more from TRALERT®? Then take a look at the complete product range on the TRALERT® website. Here you will find all LED vehicle lighting in one place and here you can order directly online. Immediately find the most up-to-date prices, discover useful combinations or compare lighting for your vehicle.

"Order today = install tomorrow".

[WWW.TRALERT.COM](http://WWW.TRALERT.COM)



## DISCOVER TRALERT® ONLINE



Connect TRALERT® on LinkedIn and be informed with the latest trends and developments in our field.



Like TRALERT® on Facebook to keep up to date with the latest news and coolest content.



Follow @tralert.nl on Instagram and discover the coolest applications of LED vehicle lighting.



Want to know more? Then go to the TRALERT® website. Scan the QR code or go to [www.tralert.com](http://www.tralert.com).



# *Seno Pro Trucks*

[www.senoprotrucks.com](http://www.senoprotrucks.com) | [instagram.com/senoprotrucks](https://www.instagram.com/senoprotrucks)