

Seno Pro Trucks

TRALERT® OZZ LED DRIVING LIGHTS & LED LIGHT BARS
TRALERT® OZZ LED ドライビングライト & LED ライトバー





THE SPECIALIST IN **LED** **VEHICLE LIGHTING**

As European importer and manufacturer of exclusively LED vehicle lighting, TRALERT® distinguishes itself through a complete and high-quality product range, excellent service and expert technical support.

Due to our expertise and focus, we have quickly become one of the largest suppliers in our industry. Besides representing several renowned brands and manufacturers in the European market, TRALERT® also manufactures lighting products in-house. TRALERT® is also your partner in providing customised solutions for all your lighting needs, whether for individual lighting or fully customised configuration of cable sets and total solutions.

With our own TRALERT® marketing team, we are perfectly capable of supporting you in the area of customised brochures, full shop-in-shop support and the delivery of customised Social Media content.

TRALERT®, your partner and innovative specialist in (LED) vehicle lighting.

Traditech B.V. / TRALERT®
Ratio 39
6921 RW Duiven
Netherlands

E: info@tralert.nl
T: +31 (0)316 - 372 346

TABLE OF CONTENTS

6. ABOUT OZZ LIGHTS

8. LED DRIVING LIGHTS

12. OZZ XR2 P9"

14. OZZ XR2 P7"

18. OZZ XO 1 P

20. LED LIGHTBARS

24. OZZ XB1 P20"

26. OZZ XB1 P9"

30. OZZ XB1 20"

32. OZZ XB1 9"

34. LEGEND ICONS





VISION OF OZZ

OZZ envisions a future where the LED driving lights market is transformed by innovation and design. As a collective brand, OZZ strives to provide premium-performing products that stand out from generic offerings.

TRALERT® shares this vision and aims to provide high-quality products and excellent service.

With a shared purpose and collaboration, OZZ aims to deliver cutting-edge features and design. By pushing boundaries and prioritizing customer satisfaction, OZZ seeks to make a lasting impact in the market for LED driving lights.

MISSION OF OZZ

OZZ's mission is to revolutionize the LED driving lights market through innovation and design. With a shared purpose and collaboration among companies, OZZ strives to set a new standard, pushing the boundaries of features and designs. By prioritizing customer satisfaction and creating lasting impact, OZZ is committed to becoming a leader in the LED driving lights industry.

We at TRALERT® believe in the stated mission of OZZ and recognize the unique value of the lighting from the OZZ line. Prioritizing customer satisfaction is also a value that TRALERT® strongly embraces.





DYNAMIC START-UP

The standout feature on the OZZ LED driving lights is the dynamic start-up. A stunning dynamic effect becomes visible as soon as you activate the daytime running lights of the LED driving light. In the automotive industry, this is already a popular feature incorporated by many premium brands in the headlights of their models. This feature has now been introduced to the truck world through this lamp.

The OZZ Series takes it even further: the dynamic start-up works in both colors of daytime running lights. Whether you opt for white daytime running lights or amber daytime running lights, with these driving lights, you're sure to steal the show.

THE PERFECT LED DRIVING LIGHT

The new TRALERT® OZZ Series is a top-of-the-line LED driving light. In addition to the duo-color daytime running lights with dynamic start-up, the OZZ Series is characterized by a very powerful high beam.

Another distinctive element of the OZZ Series LED driving light is the choice of housing color. In addition to the usual black housing, you can also opt for a variant with a white housing. Especially on (partially) white trucks, this provides a unique upgrade in terms of looks.



DRIVING LIGHTS WITH DUO-COLOUR DAYTIME RUNNING LIGHTS

OZZ XR2

Unique features in a popular format: that characterizes the OZZ XR2 driving lights from TRALERT®. These LED driving lights are available in two sizes: 9" and 7". The standout feature is the horizontal stripe with duo-color daytime running lights. With amber and white daytime running lights to enhance the appearance of your truck. Need more light? Activate the powerful driving beam. All features of these driving lights are, of course, fully certified, allowing you to hit the road with confidence.



PRODUCT SPECIFICATIONS

Connection:	4-PIN's Deutsch-connector
Light image:	Driving beam
Lumen:	15.000 lumen
Voltage:	10-35V
LED's:	16 LED's
Wattage:	134 Watt
IP-value:	IP69K
Dimensions:	ø220 x 84,3mm
Hight including base:	227mm
Cabel lenght:	100cm
Lighting range:	10 lux at 215m / 1 lux at 680m
Lighting colour:	White / amber
Lens material:	Polycarbonate
Housing material:	Aluminium
Shape housing:	Round
Housing colour:	Black (art. 88101) or white (art. 88102)
EMC:	ECE-R10
Certificates:	ECE-R10, ECE-R148, ECE-R149
Reference number:	50



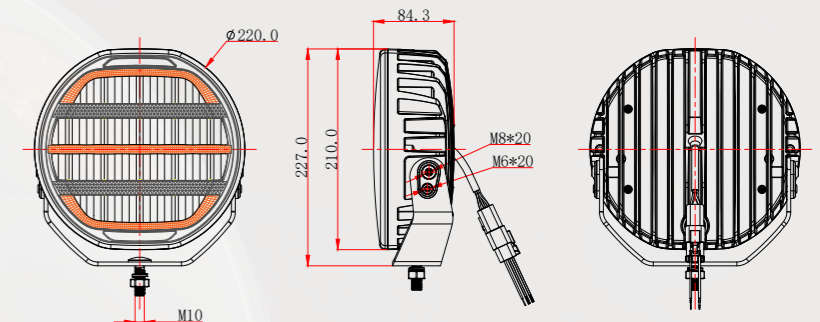
ABOUT THE OZZ XR2 P9"

Upgrade your truck or 4x4 with the TRALERT® OZZ XR2 P9" LED driving light and give it a complete look. The powerful LEDs deliver an impressive light output of 15,000 lumens. Discover the unique features of the OZZ, including duo-color daytime running lights and the striking dynamic start-up, a visual highlight for this model.

Personalize your vehicle with the OZZ XR2 P9", available in two variants. Choose between the black housing (Art. 88101) and the white housing (Art. 88102) to perfectly match the driving light with the look of your vehicle. Make a conscious choice for style and functionality with the OZZ XR2 P9" LED driving light.

Included as standard:

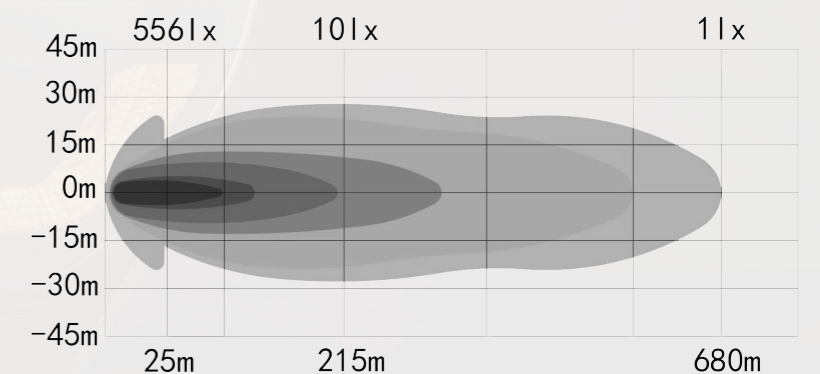
- 100cm cable with Deutsch-connector
- Includes Lampshade
- Manual
- Connection diagram
- Adjustable mounting base
- Other mounting equipment



Best to use as:

- LED driving light on the mount
- LED driving light in the grill
- LED driving light on the roof

Certificates & warranty:





PRODUCT SPECIFICATIONS

Connection:	4-PIN's Deutsch-connector
Light image:	Driving beam
Lumen:	7.200 lumen
Voltage:	12-35V
LED's:	16 LED's
Wattage:	78 Watt
IP-value:	IP69K
Dimensions:	ø178 x 72mm
Hight including base:	186mm
Cable lenght:	100cm
Lighting range:	10 lux at 150m / 1 lux at 470m
Lighting colour:	White / amber
Lens material:	Polycarbonate
Housing material:	Aluminium
Shape housing:	Round
Housing colour:	Black (art. 88103) or white (art. 88104)
EMC:	ECE-R10
Certificates:	ECE-R10, ECE-R148, ECE-R149
Reference number:	50



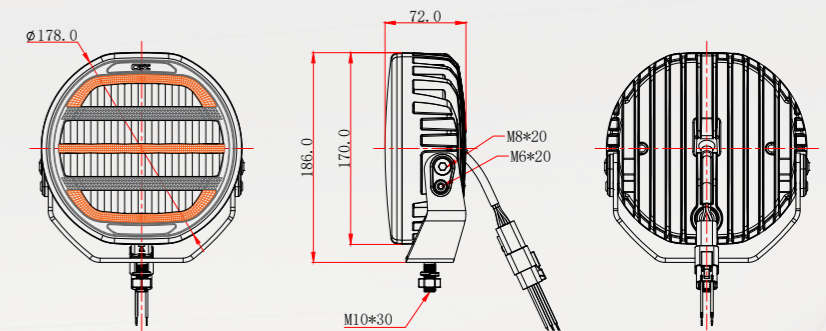
ABOUT THE OZZ XR2 P7"

The OZZ XR2 P7" is the smaller version of the TRALERT® OZZ XR2 P9" LED driving lights. This new LED driving light with a diameter of 178mm is equipped with powerful LEDs producing a light output of 7,200 lumens. Additionally, the OZZ XR2 P7" features duo-color daytime running lights. Unique to the OZZ series is the dynamic start-up, a beautiful visual addition to this model. This feature is also present in this smaller version.

The OZZ XR2 P7" is available with a robust black housing (Art. 88103) and with a white housing (Art. 88104) made of lightweight aluminum. The lens is made of polycarbonate. Thanks to this choice of materials, the OZZ XR2 P7" is suitable for delivering maximum performance under all conditions.

Included as standard:

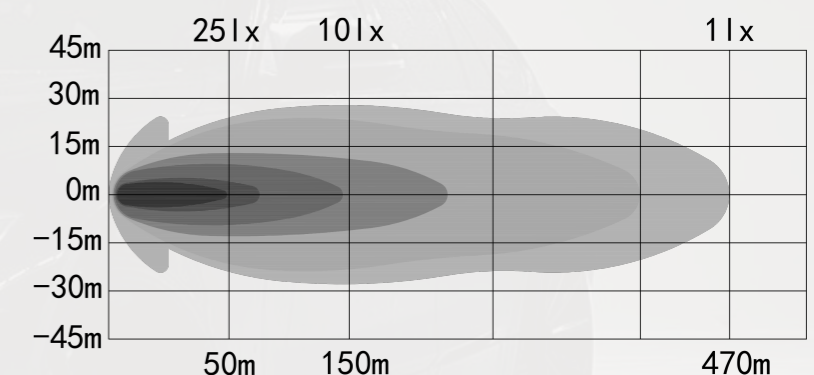
- 100cm cable with Deutsch-connector
- Includes Lampshade
- Manual
- Connection diagram
- Adjustable mounting base
- Other mounting equipment



Best to use as:

- LED driving light on the mount
- LED driving light in the grill
- LED driving light on the roof

Certificates & warranty:



DRIVING LIGHTS WITH DUO-COLOR DAYTIME RUNNING LIGHTS & FLASH FUNCTION

OZZ XO 1 P

Transform the appearance of your truck or 4x4 with the TRALERT® OZZ XO 1 P LED driving light. With powerful LEDs that ensure an impressive light output, the OZZ XO 1 P provides an extremely bright view of the road. This LED driving light also adds style with duo-color daytime running lights and a dynamic start-up. Unique to this oval LED Driving Light from the OZZ line is the integrated flash function. This flasher, positioned in the center of the lamp, is R65 certified, making it fully approved as a hazard light. Upgrade now and discover the added value of the OZZ XO 1 P for an unparalleled driving experience.



PRODUCT SPECIFICATIONS

Connection:	6-PIN's Deutsch-connector
Light image:	Driving beam, duo-color daytime running lights, R65 flasher
Lumen:	8.160 lumen
Voltage:	10-35V
LED's:	8 LED's
Flashing patterns:	2 (single and double)
Wattage:	95 Watt
IP-value:	IP69K
Dimensions:	ø245 x 90mm
High including base:	162,5mm
Cable length:	100cm
Lighting range:	15 lux at 110m / 1 lux at 475m
Lighting colour:	White / amber
Lens material:	Polycarbonate
Housing material:	Aluminium
Shape housing:	Oval
Housing colour:	Black (art. 88105) or white (art. 88106)
EMC:	ECE-R10
Certificates:	ECE-R10, ECE-R148, ECE-R149
Reference number:	50



ABOUT THE OZZ XO 1 P

Complete your truck or 4x4 with the TRALERT® OZZ XO 1 P LED driving light. What makes this LED Driving Light unique is the special flash function, as it contains a powerful flasher. Additionally, this new LED driving light is equipped with powerful LEDs producing an impressive light output of 8,160 lumens and duo-color daytime running lights.

Looking for a driving light that complements the color of your vehicle? Then the OZZ XO 1 P is a great choice. This LED driving light is available with a black housing (Art. 88105) and with a white housing (Art. 88106). This way, you can choose the housing that best matches the looks of your vehicle.

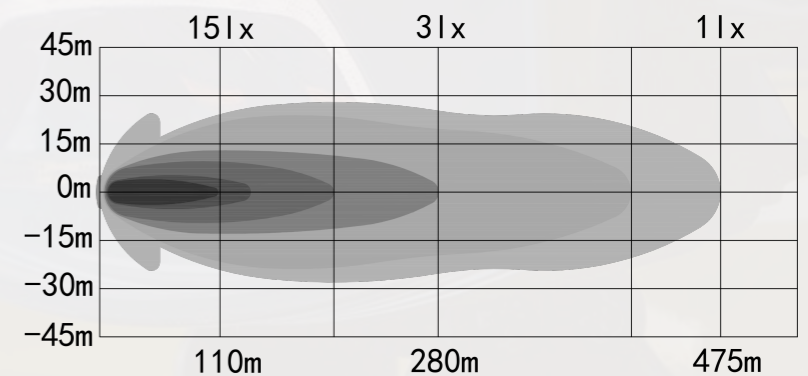
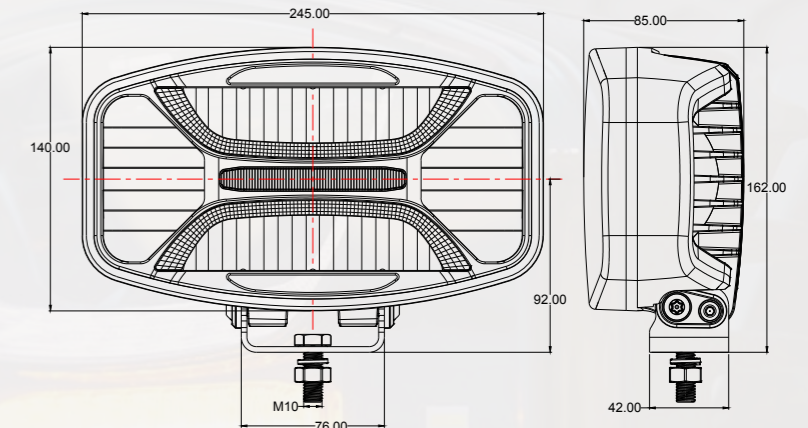
Included as standard:

- 100cm cable with Deutsch-connector
- Manual
- Connection diagram
- Adjustable mounting base
- Other mounting equipment

Best to use as:

- LED driving light on the mount
- LED driving light in the grill
- LED driving light on truck
- LED driving light on 4x4

Certificates & warranty:





OZZ LED BARS: THE RIGHT CHOICE

The TRALERT® OZZ LED light bars are the perfect way to add extra light and style to your vehicle. With four different LED light bars to choose from, it's easy to find the perfect light bar for your car or truck. This allows you to fully customize the appearance of your vehicle according to your preferences.

The TRALERT® OZZ LED light bars come standard with a 100cm connection cable with Deutsch connector for easy installation. Moreover, the LED light bars are CE, R10, R148, R149, and IP69K certified.

SUPERIOR BUILD QUALITY

The innovative OZZ LED light bars are designed to provide a superior lighting solution. These innovative LED light bars have startup diodes, creating a visual effect during ignition. The slim design adds a modern aesthetic to your vehicle. This dynamic start-up is present in both the LED light bars with daytime running lights and the LED light bars without daytime running lights.

The OZZ LED light bars are highly powerful, delivering even 1 lux at a distance of up to 590 meters. Additionally, the light has a neutral color temperature of 5000K, ensuring it provides an excellent lighting solution in all conditions.



LED LIGHT BARS WITH COMBINATION LIGHTS & DUO DAYTIME RUNNING LIGHTS

OZZ XB1 P



The OZZ XB1 P stands out as a unique and innovative LED light bar. With its distinctive features, this LED light bar elevates the standard to a new level. This LED light bar is available in a 9" and a 20" variant. These two variants with a P in the title feature duo-color daytime running lights in amber and white, which glow together with the rest of the LEDs during the dynamic start-up. Further details on the specifications of the lights will be discussed on the following pages.





PRODUCT SPECIFICATIONS

Connection:	4-PIN's Deutsch-connector
Light image:	Driving beam / duo-color daylight running light
Lumen:	11.200 lumen
Power usage:	12V - 8,62A / 24V - 4,31A
LED's:	14x Osram LED's
Wattage:	120 Watt
IP-value:	IP69K
Dimensions:	544 x 80,9 x 50,3mm
Cable length:	100cm cable
Lighting range:	1 lux at 590m
Lighting colour:	White / amber
Daylight running light:	White / amber
Lens material:	Polycarbonate
Housing material:	Aluminium
Shape housing:	Light bar
Housing colour:	Black
EMC:	ECE-R10
Certificates:	ECE-R10, ECE-R148, ECE-R149
Reference number:	50



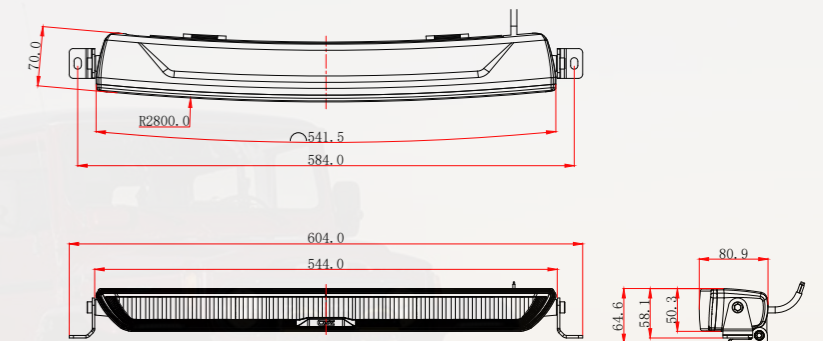
ABOUT THE OZZ XB1 P20"

The OZZ XB1 P20" is the perfect LED light bar to add to your vehicle. Whether you're venturing into the wilderness or simply looking for an upgrade for your vehicle, the OZZ XB1 P20" offers the perfect combination of innovation and aesthetics. Add a touch of uniqueness to your driving experience with this distinctive OZZ LED light bar, featuring duo-color daytime running lights and dynamic start-up.

Looking for an LED light bar that complements your vehicle well, perhaps mounted under the license plate? Then the OZZ XB1 P20" is a good choice. This LED light bar has a light range of 590m at 1 lux. Additionally, it features 14 Osram LEDs and has a light output of up to 11,200 lumens.

Included as standard:

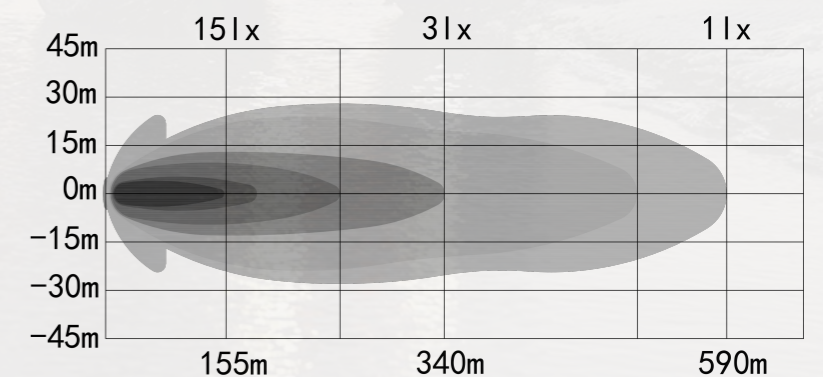
- 100cm cable with Deutsch-connector
- Manual
- Connection diagram
- Adjustable mounting base
- Other mounting equipment



Best to use as:

- LED light bar on mount
- LED light bar in the grill
- LED light bar on the roof
- LED light bar on the rear

Certificates & warranty:





PRODUCT SPECIFICATIONS

Connection:	4-PIN's Deutsch-connector
Light image:	Driving beam / duo-color daylight running light
Lumen:	4.920 lumen
Power image:	12V - 3,34A / 24V - 1,67A
LED's:	6x Osram LED's
Wattage:	42 Watt
IP-value:	IP69K
Dimensions:	228 x 70 x 50mm
Cable lenght:	100cm cable
Lighting range:	1 lux at 315m
Lighting colour:	White / amber
Daylight running light:	White / amber
Lens material:	Polycarbonate
Housing material:	Aluminium
Shape housing:	Light bar
Housing colour:	Black
EMC:	ECE-R10
Certificates:	ECE-R10, ECE-R148, ECE-R149
Reference number:	27,5



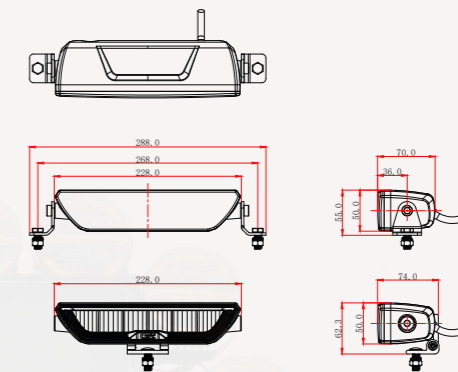
ABOUT THE OZZ XB1 P9"

Upgrade your vehicle with the compact power of the TRALERT® OZZ XB1 P9" LED light bar. Whether navigating through urban areas or exploring off-road trails, the OZZ XB1 P9" offers the ideal combination of performance and style. Add a touch of distinction to your driving experience with this remarkable OZZ LED light bar. Ideal for mounting, for example, under the license plate.

Looking for an LED light bar that seamlessly complements the appearance of your vehicle? The OZZ XB1 P9" is the perfect choice. With an impressive light range of 315 meters at 1 lux, powered by 6 Osram LEDs, and a light output of 4,920 lumens, this compact LED light bar delivers performance that exceeds its size.

Included as standard:

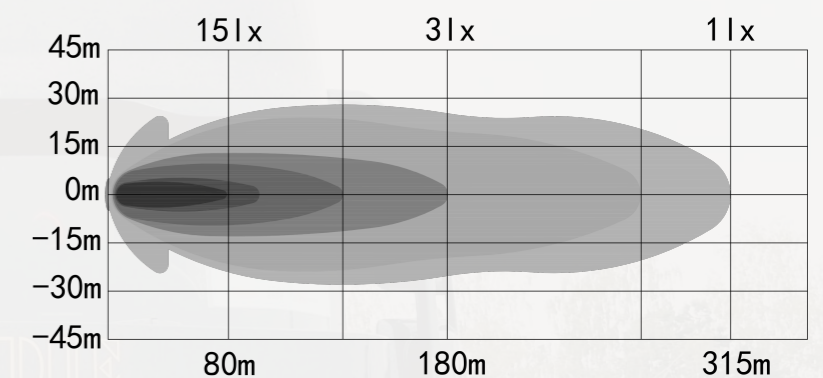
- 100cm cable with Deutsch-connector
- Manual
- Connection diagram
- Adjustable mounting base
- Other mounting equipment



Best to use as:

- LED light bar on the mount
- LED light bar in the grill
- LED light bar on the roof
- LED light bar on the rear

Certificates & warranty:



LED LIGHT BARS WITH DRIVING BEAM

OZZ XB1



In addition to the XB1 P, there is also the XB1. These LED light bars do not feature DUO-color daytime running lights, but they are certainly a unique and powerful LED light bar. Despite the absence of daytime running lights, this LED light bar does have a unique dynamic start-up. This LED light bar is also available in a 9" and a 20" variant. Choose the LED light bar that suits you best and elevate your vehicle to the next level with the perfect balance between safety and design.





PRODUCT SPECIFICATIONS

Connection:	3-PIN's Deutsch-connector
Light image:	Driving beam
Lumen:	11.200 lumen
Power usage:	12V - 8,42A / 24V - 4,21A
LED's:	14x Osram LED's
Wattage:	120 Watt
IP-value:	IP69K
Dimensions:	533 x 80 x 43mm
Cable lenght:	100cm cable
Light range:	1 lux at 590m
Light colour:	White / amber
Daylight running light:	Not included
Lens material:	Polycarbonate
Housing material:	Aluminium
Shape housing:	Light bar
Housing colour:	Black
EMC:	ECE-R10
Certificates:	ECE-R10, ECE-R148, ECE-R149
Reference number:	50



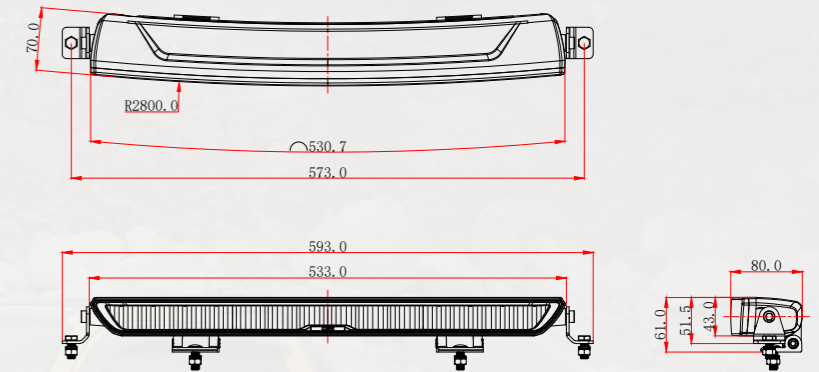
ABOUT THE OZZ XB1 20"

Experience the power of the TRALERT® OZZ XB1 20" LED light bar and illuminate the road like never before. With an unparalleled light output of 11,200 lumens, this LED light bar not only provides exceptional brightness but also ensures a safe and eye-catching driving experience. Whether you're heading for off-road adventures or dominating the highway, the OZZ XB1 20" guarantees reliable performance in every situation.

Thanks to its sleek design and advanced technologies, you not only benefit from optimal illumination but also add a stylish dimension to your vehicle. With the OZZ XB1 20" LED light bar, you are assured of durability, efficiency, and an upgrade that exceeds expectations.

Included as standard:

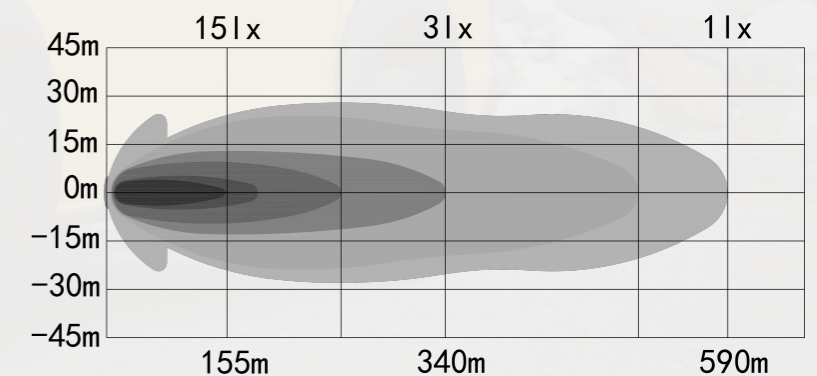
- 100cm cable with Deutsch-connector
- Manual
- Connection diagram
- Adjustable mounting base
- Other mounting equipment



Best to use as:

- LED light bar on the mount
- LED light bar in the grill
- LED light bar on the roof
- LED light bar on the rear

Certificates & warranty:





PRODUCT SPECIFICATIONS

Connection:	3-PIN's Deutsch-connector
Light image:	Driving beam
Lumen:	4.920 lumen
Power usage:	12V - 3,3A / 24V - 1,65A
LED's:	6x Osram LED's
Wattage:	42 Watt
IP-value:	IP69K
Dimensions:	216 x 70 x 42mm
Cable lenght:	100cm cable
Lighting range:	1 lux at 315m
Lighting colour:	White / amber
Daylight running light:	Not included
Lens material:	Polycarbonate
Housing material:	Aluminium
Shape housing:	Light bar
Housing colour:	Black
EMC:	ECE-R10
Certificates:	ECE-R10, ECE-R148, ECE-R149
Reference number:	27,5



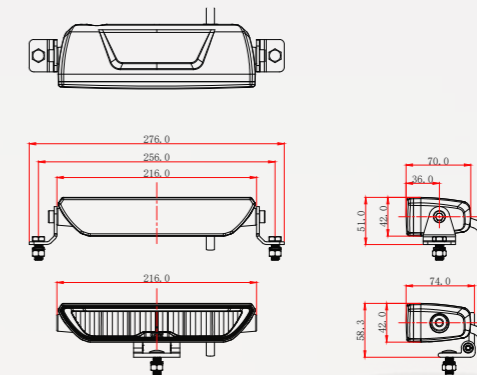
ABOUT THE OZZ XB1 9"

Let your vehicle shine in the wilderness with the OZZ XB1 9" and discover the perfect balance between style and functionality. Whether navigating rocky trails or maneuvering through dense forests, this LED light bar provides powerful illumination and adds a distinctive element to your adventurous vehicle. Upgrade now to the OZZ XB1 9" and experience the power of performance in a compact design, wherever the adventure takes you.

Looking for an LED light bar that guides you through unfamiliar terrain? Choose the OZZ XB1 9". With a light range of 315 meters at 1 lux, powered by 6 Osram LEDs, and a light output of 4,920 lumens, this compact LED light bar offers reliable performance crucial for adventurous expeditions.

Included as standard:

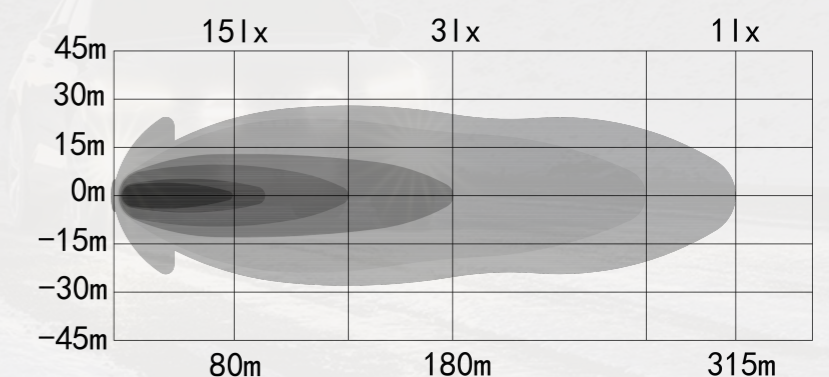
- 100cm cable with Deutsch-connector
- Manual
- Connection diagram
- Adjustable mounting base
- Other mounting equipment



Best to use as:

- LED light bar on the mount
- LED light bar in the grill
- LED light bar on the roof
- LED light bar on the rear

Certificates & warranty:



LEGEND

E

"E keur" is a seal of approval that shows that your vehicle or product complies with EC directives. EC guidelines can be understood as European Union legislation.

CE

The CE mark is a Europe-wide agreement on the safety of products in the EU, which is subject to many rules. For LED vehicle lighting, CE marking is mandatory.

IP69K

IP stands for 'International Protection Rating' and indicates whether a product is dust- and water-proof. IP69K means completely dust-proof, waterproof, moisture-proof and high-pressure spray-proof.

R10

EMC ECE-R10 is a type of approval for electrical systems on vehicles and means that the lighting does not interfere with other electrical equipment.

R65

ECE-R65 is the European directive that establishes requirements for optical signals for vehicles and trailers. It is a certification for signaling lights such as flashers and beacons.

R148

ECE-R148 is an overarching new regulation and follows R7, among others. ECE-R148-certified lights may be officially operated as daytime running lights when fitted and connected correctly.

R149

ECE-R149 is an overarching new regulation and follows R112, among others. ECE-R149-certified lights may be officially operated as main beams when fitted and connected correctly.

3Y

3Y stands for a three-year warranty on internal components. In case of a technical defect in the lamp within the warranty period, you will receive a working new one.



EXPLORE TRALERT® ONLINE

Do you want additional information about the lighting from this brochure or are you curious about more from TRALERT®? Then take a look at the complete product range on the TRALERT® website. Here you will find all LED vehicle lighting in one place and can order directly online. Immediately find the latest prices, discover useful combinations or compare lights for your vehicle.

"Ordering today = assembling tomorrow."

WWW.TRALERT.COM



EXPLORE TRALERT® ONLINE



Connect TRALERT® on LinkedIn and get informed with the latest news and cool developments from the market.



Like TRALERT® on Facebook to keep up to date with the latest news and coolest content.



Follow @tralert.nl on Instagram and discover the coolest applications of LED vehicle lighting.



Want to know more? Scan the QR code or head over to www.tralert.com.

Senopro Trucks

www.senoprotrucks.com | [instagram.com/senoprotrucks](https://www.instagram.com/senoprotrucks)